

Wafer Downlight **Installation Guide**

4-in & 6-in Integrated LED Recessed Fixture

Gettings Started



STEP 1*

Download the Cync App, powered by Savant, on your smartphone



STEP 2

Determine your Wafer Downlight location and complete installation



STEP 3

Add your Wafer Downlight to the Cync App

*DIRECTLY CONNECT TO AMAZON ALEXA

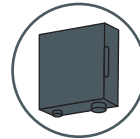
Complete installation and turn on light.

If Alexa says, 'New light found,' you can begin using your light with Alexa. Otherwise say, 'Alexa, discover my devices' and then use Alexa to control your light.

For set up help, visit cyncsupport.gelighting.com
or call 1-844-302-2943

Let's Do It

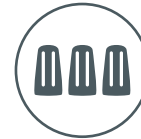
INCLUDED



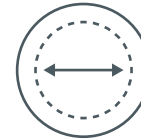
Junction Box



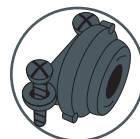
Integrated LED Trim



Wire Nuts (3)



Hole Template



Strain Relief

SOLD SEPARATELY

YOU'LL NEED



Hammer



Flathead Screwdriver



Drywall Saw or Hole Saw
(4-1/4" or 6-1/4" diameter)



Ladder



Safety Glasses



Needle Nose Pliers

Specifications

MODEL	INPUT VOLTAGE (Vac, Hz)	CURRENT (mA)	WATTAGE (W)
CFIXCNLR4S1	120, 60	110	13
CFIXCNLR6S1	120, 60	130	16
CFIXCNLR4C1	120, 60	110	13
CFIXCNLR6C1	120, 60	130	16

Dimming Capability

NOT FOR USE WITH TRADITIONAL DIMMER SWITCHES.
Dimmable with only CYNC and C by GE Smart Dimmers or using the CYNC App.



BEFORE YOU BEGIN

Read these instructions completely and carefully.

WARNING

- Risk of fire or electric shock. Installation requires knowledge of luminaire electrical systems. If not qualified, do not attempt installation. Minimum 90°C Conductors, if uncertain contact a qualified electrician.
- To prevent wiring damage or abrasion, do not expose wiring to edges of sheet metal or other sharp objects.
- These products are suitable for use in wet locations.
- IC rated for direct contact with insulation.

Prepare Electrical Wiring



Electrical Requirements

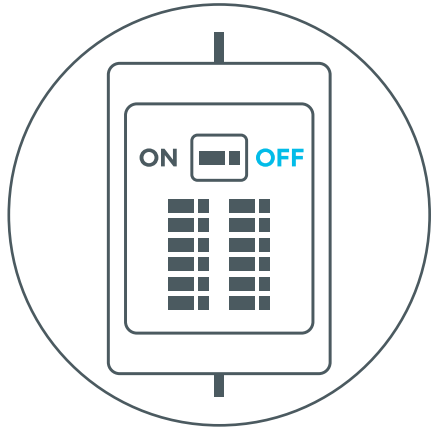
The LED fixture must be supplied with 120VAC 60Hz



Grounding Instructions

The grounding and bonding of the overall system shall be done in accordance with National Electric Code(NEC) Article 410 and local codes.

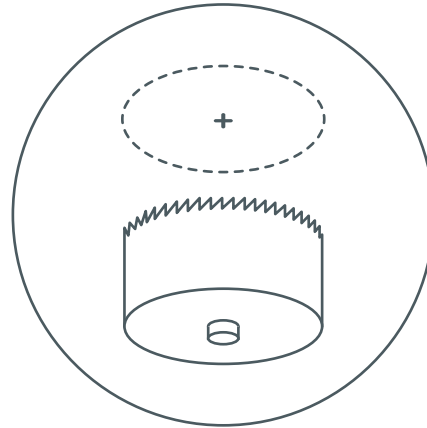
BEFORE YOU DO ANYTHING: Turn Off Power



STEP 1

Turn off power source at the main circuit breaker or fuse box.

Mark the Location on the Ceiling & Cut the Hole



STEP 2

Determine the position of your downlight. Keep in mind:

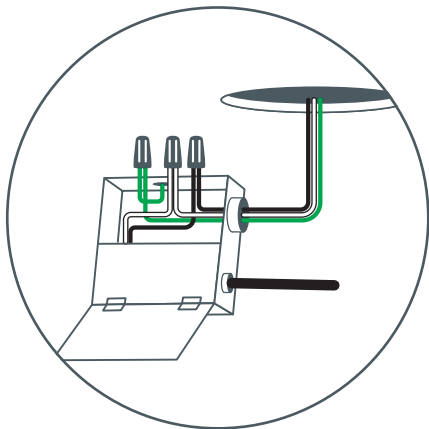
- Maximum distance from the junction box to the downlight is 16 inches.
- Location must be within range of 2.4GHz Wi-Fi to enable smart control.

Once determined, use the hole template to trace the hole size. Cut the hole using a drywall saw or hole saw.

4-inch wafer requires a 4-1/4 inch hole

6-inch wafer requires a 6-1/4 inch hole

Remove the Knockout & Wire the Wafer Downlight



STEP 3

Remove the knockout using a hammer and screwdriver.

Open the junction box cover.

Attach the strain relief (not included) into the knockout hole.

Route the wires through the strain relief.

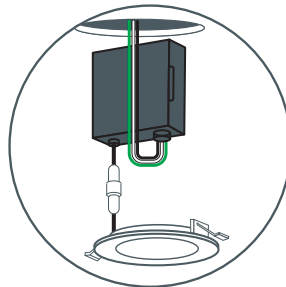
Connect the wires:

- black to black
- white to white
- green to green or bare copper wire

Secure the wires with the three provided wire nuts.

Close the cover of the junction box.

Place Junction Box in the Ceiling & Install the Fixture

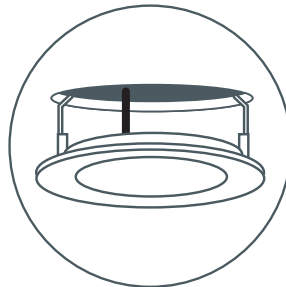


STEP 4

Place the junction box in the ceiling through the hole.

Connect the downlight to junction box using the connector.

Screw the connector together to complete the connection.



STEP 5

Hold the spring clips against the fixture and gently guide into the ceiling until the clips snap into place. Turn on power source at the main circuit breaker or fuse box.

Complete setup in the Cync App.

Additional Information and Warnings

FCC Compliance Statement Compliance Notice:

Warning: Changes or modifications to this unit not expressly approved by the party responsible for compliance could void the user's authority to operate the equipment.

NOTE: This equipment has been tested and found to comply with the limits for a Class B digital device, pursuant to Part 15 of the FCC Rules. These limits are designed to provide reasonable protection against harmful interference in a residential installation. This equipment generates, uses and can radiate radio frequency energy and, if not installed and used in accordance with the instructions, may cause harmful interference to radio communications.

However, there is no guarantee that interference will not occur in a particular installation. If this equipment does cause harmful interference to radio or television reception, which can be determined by turning the equipment off and on, the user is encouraged to try to correct the interference by one or more of the following measures:

- Reorient or relocate the receiving antenna.
- Increase the separation between the equipment and receiver
- Connect the equipment into an outlet on a circuit different from that to which the receiver is connected.
- Consult the dealer or an experienced radio/TV technician for help

The device must not be co-located or operating in conjunction with any other antenna or transmitter.

This device complies with Part 15 of the FCC Rules. Operation is subject to the following two conditions:

(1) this device may not cause harmful interference, and (2) this device must accept any interference received, including interference that may cause undesired operation.

FCC RF Exposure Statement:

Caution: To maintain compliance with the FCC's RF exposure guidelines, place the product at least 20cm from nearby persons.

IC statement

This device complies with RSS247 of Industry Canada. Cet appareil se conforme à RSS247 de Canada d'Industrie.

This device complies with Industry Canada license-exempt RSS standard(s).

Operation is subject to the following two conditions:

(1) this device may not cause interference, and (2) this device must accept any interference, including interference that may cause undesired operation of the device. appareils radio exempts de licence.

Son fonctionnement est sujet aux deux conditions suivantes: (1) le dispositif ne doit pas produire de brouillage préjudiciable, et (2) ce dispositif doit accepter tout brouillage reçu, y compris un brouillage susceptible de provoquer un fonctionnement indésirable.

This equipment complies with IC RSS-102 radiation exposure limits set forth for an uncontrolled environment.

This transmitter must be installed to provide a separation distance of at least 20cm from all persons and must not be collocated or operating in conjunction with any other antenna or transmitter.

Cet équipement est conforme aux limites d'exposition aux rayonnements IC RSS-102 définies pour un environnement non contrôlé.

Cet émetteur doit être installé pour fournir une distance de séparation d'au moins 20 cm de toutes les personnes et ne doit pas être colocalisé ou fonctionner en conjonction avec une autre antenne ou émetteur.



**Like your new Wafer Downlight?
Share your experience!**

Leave a review where you purchased
the product.

