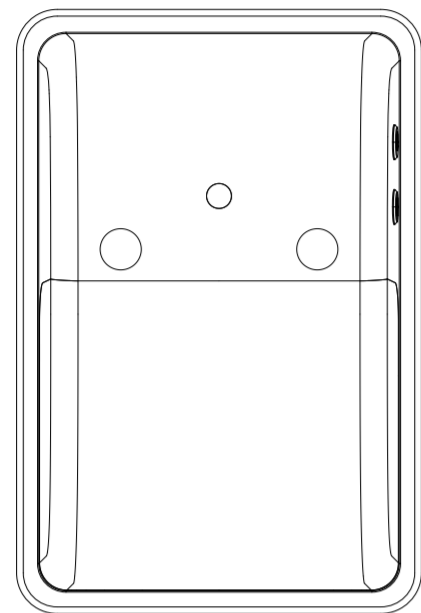


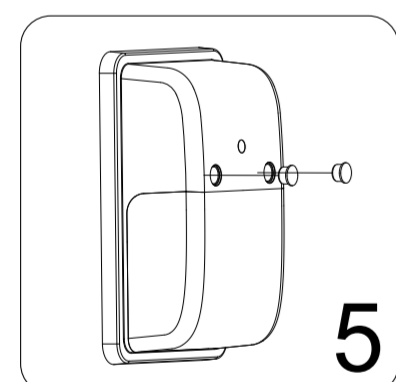


Installation Guide

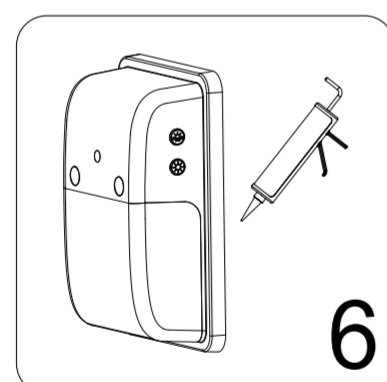
Outdoor Style
Security Wall Light
Hard Wire



www.gelighting.com
GE is a trademark of General Electric Company. Used under trademark license.
©2024 Savant Systems LLC. Information provided is subject to change without notice.
All values are design or typical values when measured under laboratory conditions.



Insert two screw hole caps into the screw holes. Turn on power source at the main circuit breaker or fuse box.



Apply silicone sealant around the edge of the fixture to provide a weatherproof seal.

ADJUST LIGHT COLOR AND BRIGHTNESS

Note: Each time the fixture is powered on, the light will illuminate for 30 seconds by default. Each time the Color Temperature and Brightness buttons are pressed, the light will illuminate for another 5 seconds, including instances when ambient light is detected.



CCT icon

Setup preferred white color tone
Press the button to change the color temperature. The default setting is 6500K. Continue pressing button to select color: 5000K-4000K-3000K-2700K, then back to 6500K.

2700K 3000K 4000K 5000K 6500K
soft warm cool daylight cool
white white white daylight



Brightness icon

Setup preferred brightness.
Press the button to change the brightness. Continue pressing button to change brightness to 70%-40% or back to 100%.

PRODUCT COVERED

Model	Input voltage (Vac , Hz)	Current (A)	Wattage (W)
OUTWLDW35@	120 , 60	0.25	28

Where @ = can be followed by additional letters, numbers or symbols which indicate CRI, CCT, finish, color, packaging or internal identification



BEFORE YOU BEGIN

Read these instructions completely and carefully.

WARNING

- Risk of fire or electric shock.
- Installation may require a qualified licensed electrician. Check local and national electrical code if any uncertainty before installation or operation.

CAUTIONS

- Wall mount only.
- Not for use with dimmers.
- This fixture is for outdoor use and needs to be installed with a junction box.
- Intended to be used in damp or wet locations.
- Use silicone sealant between the edge of the fixture and the wall to help prevent water and dust ingress.
- This fixture is equipped with a daylight sensor. Indoor use may result in improper function.
- Install the fixture in a sun-lit area for proper dusk to dawn functionality.
- Turn off the power source before installation.

PREPARE ELECTRICAL WIRING



Electrical Requirements
The LED fixture must be supplied with 120VAC 60Hz.

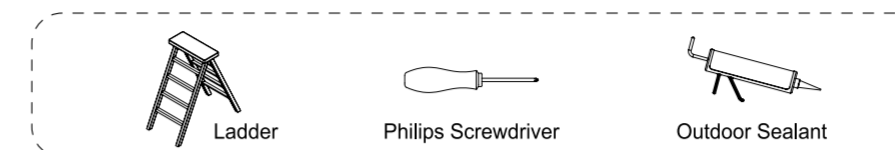


Grounding Instructions
The grounding and bonding of the overall system shall be done in accordance with National Electric Code(NEC) and local codes.

FCC INFORMATION

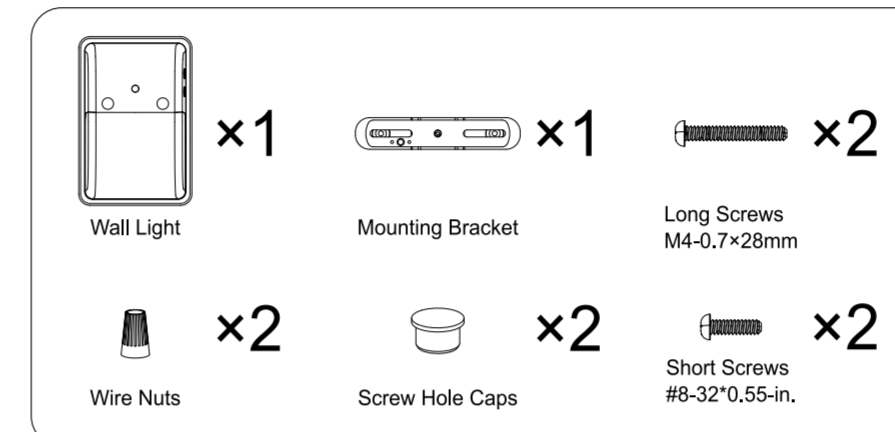
This device complies with part 15 of the FCC Rules. Operation is subject to the following two conditions: (1) This device may not cause harmful interference, and (2) this device must accept any interference received, including interference that may cause undesired operation. This device complies with CAN ICES-005 (B)/ NMB-005 (B). Visit www.gelighting.com/regulatory for more information.

TOOLS REQUIRED



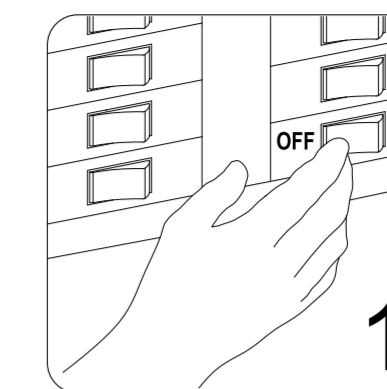
PACKAGE CONTENTS

OUTWLDW35085CBKN

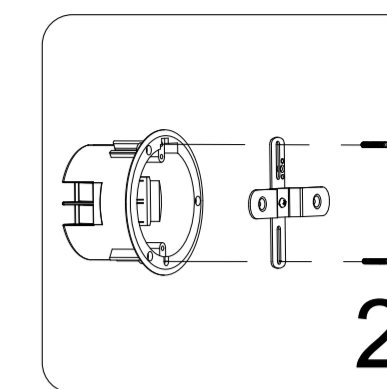


JUNCTION BOX MOUNTING

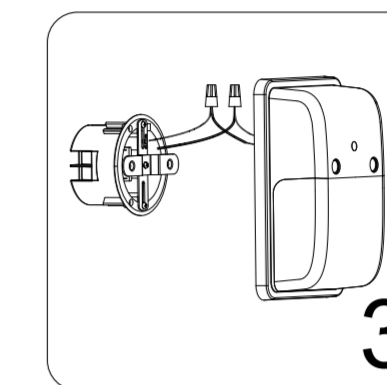
This fixture is only suitable for wall mounting. Recommended install height is from 8ft. to 11ft. (2.4m to 3.4m) above the ground.



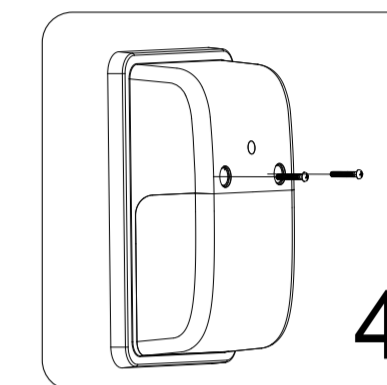
Turn off wall switch. Turn off power source at the main circuit breaker or fuse box.



Align the slots on the back mounting bracket with the holes on the junction box. Use the two short screws to affix the mounting bracket to the junction box.



Connect the black supply wire to the black fixture wire using the wire nut. Connect the white supply wire to the white fixture wire with wire nut. Carefully tuck all wires into the junction box, avoiding pinching.



Align the holes on the mounting bracket with the holes on the fixture. Use the two long screws to attach the fixture to the mounting bracket. Ensure the fixture is flush with the wall when tightening the screws.

TROUBLESHOOTING

Problem	Possible Cause	Solution
Light does not turn on	The fixture is not powered.	Check if circuit breaker is tripped. Confirm wall switch is ON.
	The fixture is sensing daylight.	Cover light sensor. Unit will switch ON after a short delay.
	Loose wiring of the fixture.	TURN OFF POWER BEFORE CONTINUING Confirm wiring is properly secured. If light still does not come on after checking wiring connections, contact Customer Service.
Light cycles ON and OFF continuously	The light sensor is sensing reflected light.	Cover light sensor with black electrical tape. The fixture should turn on after a slight delay. Relocate light fixture away from the object that is reflecting light.
Light is always on	Light sensor is in a heavily shaded area.	The fixture should be moved to a location with enough light in the daytime for the light sensor to work.
	The light sensor is faulty.	If the fixture is installed in a well-lit area and the light remains ON during the day, the sensor may be defective. Please reach out to customer service for assistance.
Light flickers	The light is hooked up to the dimmer circuit.	Do not use a dimmer switch to control the light fixture. Replace the dimmer with a standard ON/OFF switch.

If these troubleshooting tips do not solve your issue, then contact our customer support team at 1-800-435-4448.