



# Smart Thermostat **Installation Guide**

GE and C by GE are trademarks of General Electric Company. Used under trademark license.

## Compatibility Requirements

The Cync™ Smart Thermostat works with most central residential heating and cooling systems.

**Heating:** Up to 2 stages

**Cooling:** Up to 2 stages

**Heat Pumps:** Up to 4 heating stages and up to 2 cooling stages

**Must be within range of 2.4GHz Wi-Fi to enable smart and out-of-home control.**

**Minimum iOS and Android requirements:** Android 8 or higher and iOS 14 or higher.



Scan here to check your wiring compatibility before getting started.

## Simple DIY Set Up

For detailed step-by-step instructions tailored to your home's wiring configuration, use the Cync App installation guide.



### STEP 1

Download the Cync App, powered by Savant, on your smartphone



### STEP 2

Determine the thermostat wires present and complete installation

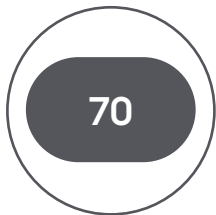


### STEP 3

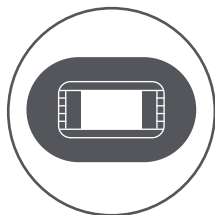
Add your Cync Thermostat to the Cync App

For set up help, visit [cyncsupport.gelighting.com](https://cyncsupport.gelighting.com)  
or call 1-844-302-2943

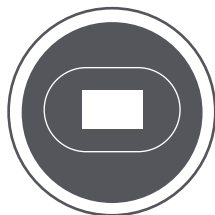
## What's Included



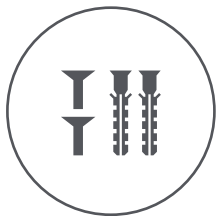
Thermostat



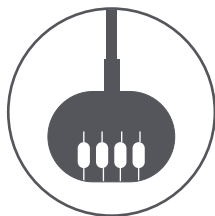
Back Plate



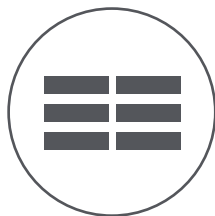
Trim Plate  
(Optional)



2 Screws &  
2 Wall Anchors

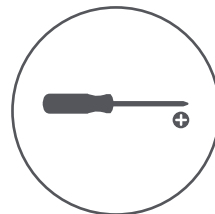


Power Extender Kit  
with Magnetic Back  
(Required when a C wire isn't present)



Wire Labels

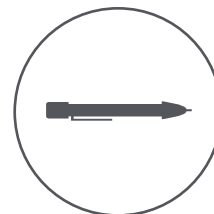
## What You'll Need



Phillips  
Screwdriver

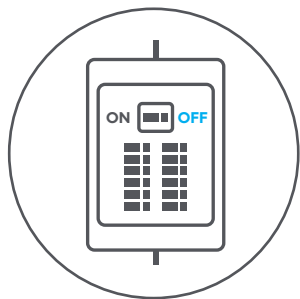


Drill for Installing  
Anchors  
(1/4" drill bit)



Pencil

# BEFORE YOU DO ANYTHING! Turn Off the Power!



## Power off your HVAC System.

Before doing anything, power off your system. Check for a master switch at your HVAC equipment. If there isn't a master switch, please turn off the power at the circuit breaker box. After turning off the power, try adjusting the thermostat temperature to make sure the power is off.

If you are uncomfortable installing the thermostat yourself, contact a qualified HVAC technician to complete installation.

For set up help, visit [cyncsupport.gelighting.com](https://cyncsupport.gelighting.com) or call 1-844-302-2943

## Power Up!

Your Cync Thermostat provides more features than a traditional thermostat including out-of-home, voice,\* and app control. The Cync Thermostat requires constant power so that it is always ready to respond to your voice\* or Cync App.

There are two ways to provide the necessary power:

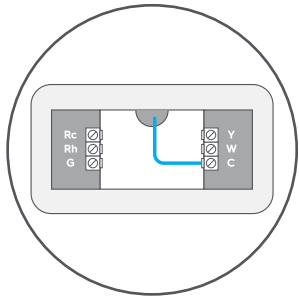


*\*Requires pairing to a voice assistant.*

For set up help, visit [cyncsupport.gelighting.com](https://cyncsupport.gelighting.com) or call 1-844-302-2943

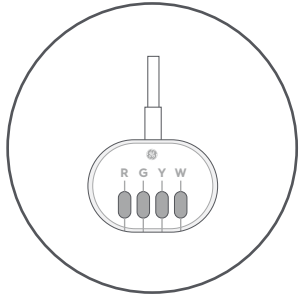
## What's the Difference Between a C Wire and PEK?

## Let's Determine How to Power Your Cync Smart Thermostat



### C WIRE

The C wire delivers power from the HVAC control board to your thermostat.

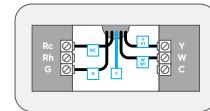
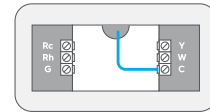


### POWER EXTENDER KIT (PEK)

The PEK provides power to the thermostat when there are not enough wires available to connect to the C wire/ C terminal on the thermostat. A PEK is included in the box.

Remove your existing thermostat panel and look at the wires attached. If you don't see screws on the face plate, it should just pull off.

Look for a wire connected to the C terminal. Oftentimes, the wire is blue.



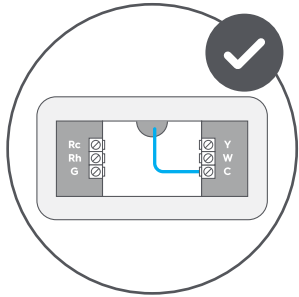
Your existing thermostat wiring may have an unused C wire tucked behind the wall. If a C wire is there, check to make sure the other end of the wire is connected to the C terminal on your HVAC control board.

For set up help, visit [cyncsupport.gelighting.com](https://cyncsupport.gelighting.com) or call 1-844-302-2943

# Which Directions Do I Need to Follow for My Installation?

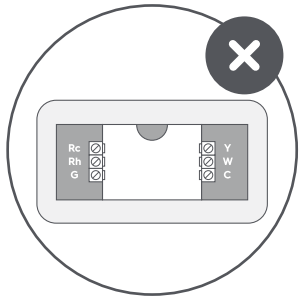
# For New Installations, Choose a Location

(skip this if replacing an existing thermostat)



**YES, I DO HAVE A C WIRE**

Proceed to the next page.



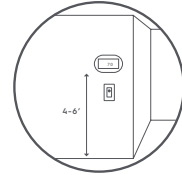
**NO, I DON'T HAVE A C WIRE**

We've got you covered. It will take a few extra steps, including installing a PEK in your HVAC unit. Go to **page 27** to get started.

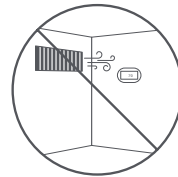
To ensure proper temperature and humidity reading, please install your thermostat in a location that meets the following requirements:



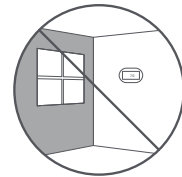
On an interior wall



4' to 6' above the floor

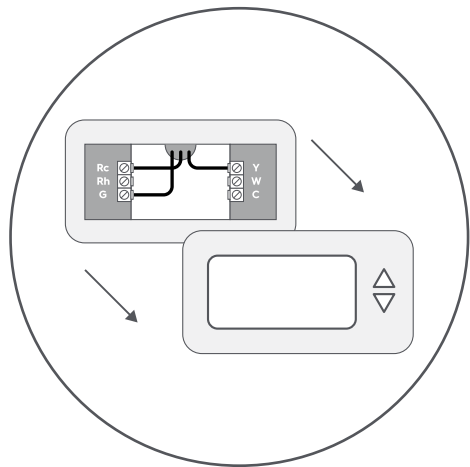


Away from vents and registers or other heating and cooling sources



Out of direct sunlight

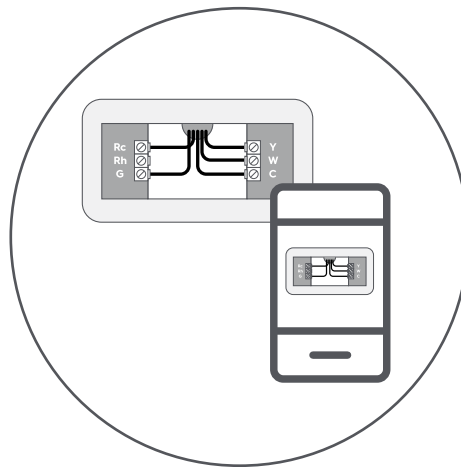
## Remove the Old Thermostat Panel



Remove your existing thermostat panel. If you don't see screws on the faceplate, it should just pull off. Then, look at the wires attached.

**⚠️** If the old thermostat has 110/120V wires with wire nuts, it is a high voltage system and not compatible with the Cync Thermostat.

## Take a Picture of Your Existing Wiring



Take a picture of your existing wiring for reference.

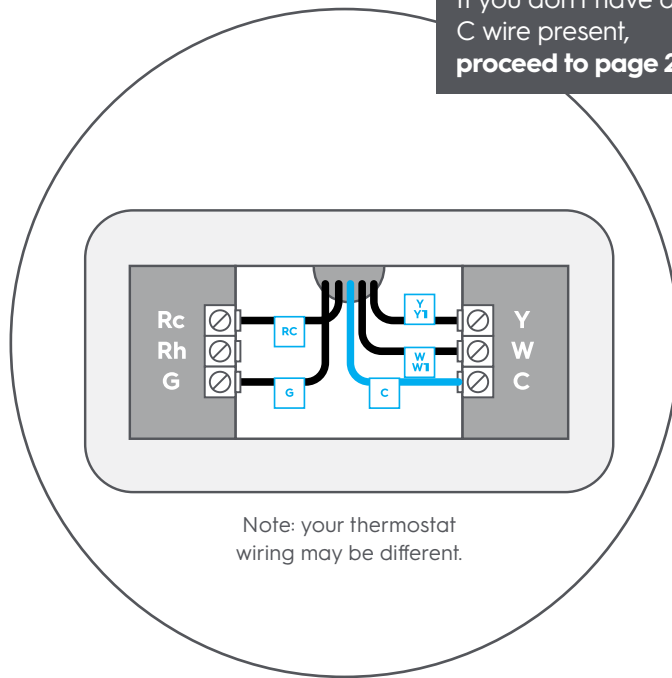
## Remove Any Jumper Wires, Then Identify & Label Your Wires

Remove any jumper wires (wires that connect to two terminals), like Rh to Rc.

Using the wire labels provided, **label each wire based on where it's connected to the thermostat terminal**, NOT based on the color of the wire.

**⚠** If the old thermostat has 110/120V wires with wire nuts, it is a high voltage system and not compatible with the Cync Thermostat.

If you don't have a C wire present, **proceed to page 25**



Note: your thermostat wiring may be different.



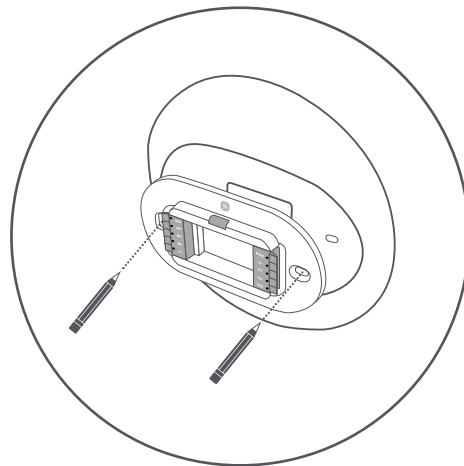
## Disconnect the Wires & Remove the Old Thermostat

Disconnect the wires and unscrew the old thermostat base. Be careful to keep the wires from falling back into the wall.

Hold your Cync Thermostat in its new location. If the old screw holes or an unpainted area are visible, use the optional Trim Plate to cover them.

If the Cync Thermostat doesn't require the optional Trim Plate, skip to **page 20**.

## Mark the Location *With the Optional Trim Plate*

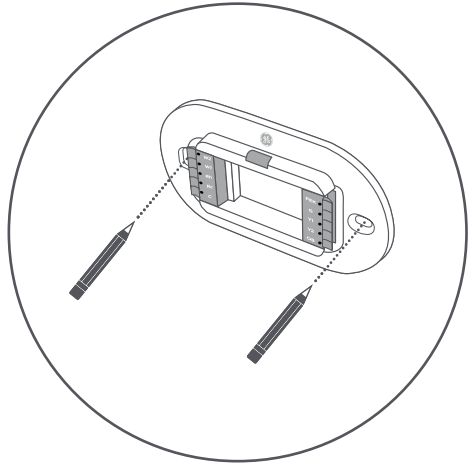


Place the Trim Plate between the wall and Back Plate.

Use the built-in level on the Back Plate to ensure the plate is level.

Mark both holes with a pencil.

## Mark Location *Without* the Optional Trim Plate



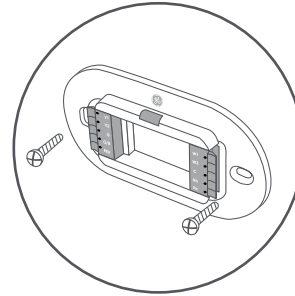
Place the Back Plate against the wall.

Use the built-in level to ensure the Back Plate is level.

Mark both sides with a pencil.

For set up help, visit [cyncsupport.gelighting.com](http://cyncsupport.gelighting.com) or call 1-844-302-2943

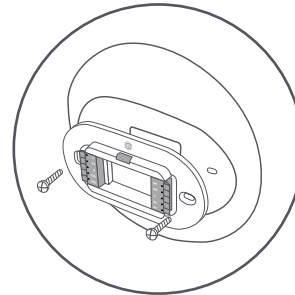
## Drill Holes & Attach the Back Plate



Before drilling make sure there are no pipes or wires behind the wall.

Drill mounting holes for the drywall anchors using  $\frac{1}{4}$ " drill bit. Insert anchors.

Place Back Plate against the wall and screw in both screws.



### **OPTIONAL TRIM PLATE**

Place Trim Plate against the wall with the Back Plate in front. Screw in both screws.

## Insert the Wires Into the Terminals

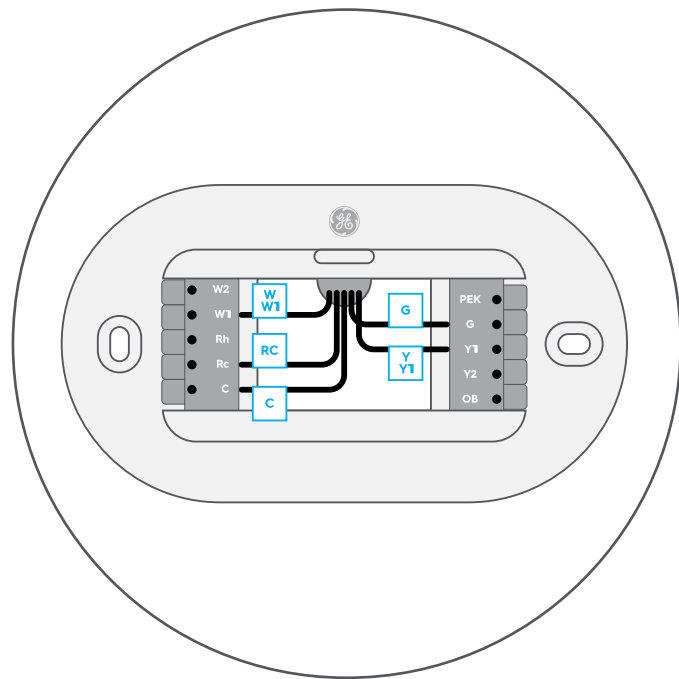
Press the terminal lever on the side of the Base Plate. Slide the wire into the terminal. The lever will stay depressed when the wire is properly inserted in the terminal.

Insert your labeled wires into the terminals:

	Labeled Wire		Thermostat Terminal
Insert	Y / Y1	into	Y1
Insert	W / W1	into	W1
Insert	G	into	G
Insert	C	into	C
Insert	Rc or Rh	into	Rc

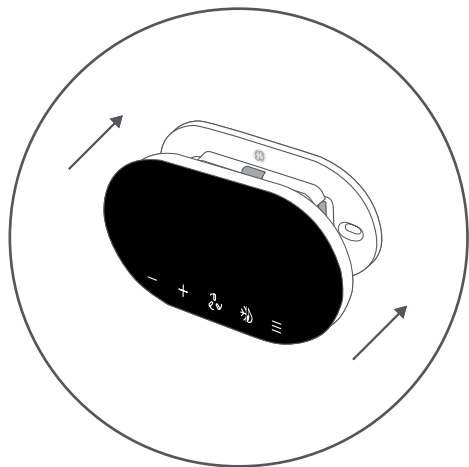
For heat pumps insert OB Labeled Wire into OB Thermostat Terminal.

Insert any remaining wires into the corresponding terminals on the Back Plate. Then push excess wires into the wall.

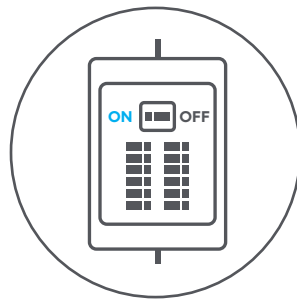


For set up help, visit [cyncsupport.gelighting.com](http://cyncsupport.gelighting.com) or call 1-844-302-2943

## Mount the Thermostat on the Back Plate



Align the Cync Thermostat over the Back Plate. Orient so that the Thermostat control buttons are on the bottom. Gently push the thermostat into place until it clicks.



## Turn the Power Back On

Power on your HVAC system. Your Cync Thermostat will automatically power on.

Begin setup in the Cync App within 30 minutes after powering on the thermostat. After 30 minutes, re-enable setup mode by removing the thermostat from the Back Plate and re-attaching it.

Go to **Page 50** for manual instructions and codes to complete setup without using Wi-Fi or the Cync App.

## Congratulations!

You've completed the Cync Thermostat installation

## Installing the Power Extender Kit (PEK)

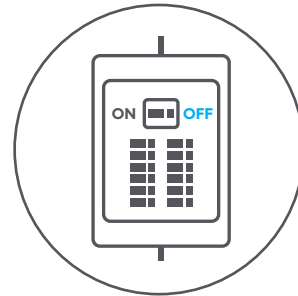
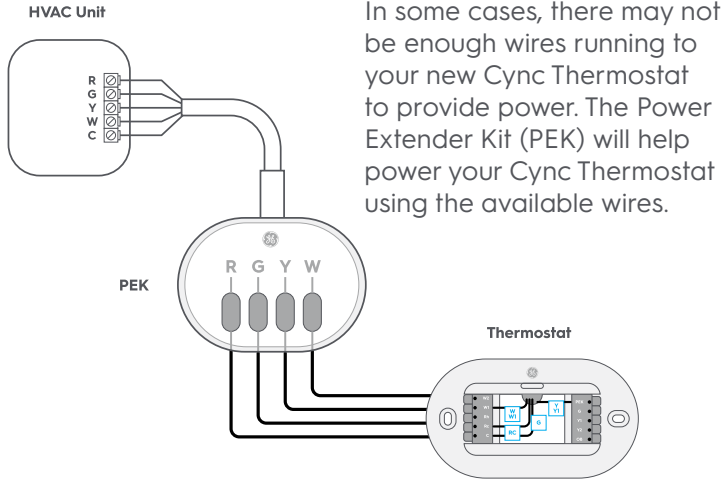
The PEK is required to power your Cync Thermostat when the C wire is not present.

If you have any concerns handling wiring, hire a qualified HVAC technician.

# Install Power Extender Kit (PEK)

(Required when no C wire is present)

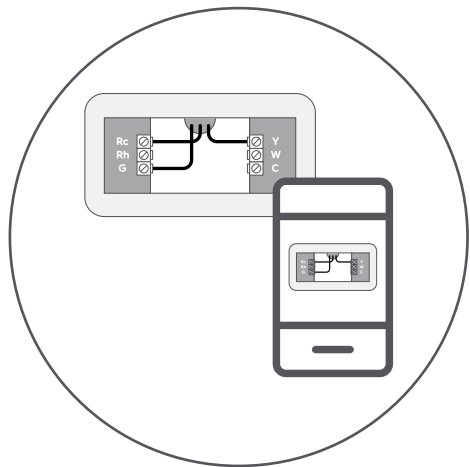
# BEFORE YOU DO ANYTHING! Turn Off the Power!



## Power off your HVAC System.

Before doing anything, power off your system. Check for a master switch at your HVAC equipment. If there isn't a master switch, please turn off the power at the circuit breaker box. After turning off the power, try adjusting the thermostat temperature to make sure the power is off.

## Take a Picture of Your Existing Wiring



Take a picture of your existing wiring for reference.

## Remove Any Jumper Wires, Then Identify & Label Your Wires

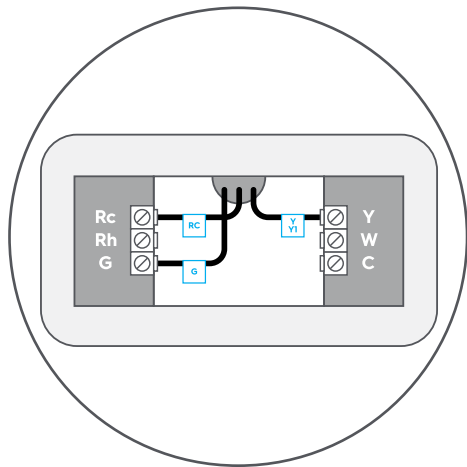
Remove any jumper wires (wires that connect to two terminals), like Rh to Rc.

Using the wire labels provided, **label each wire based on where it's connected to the thermostat terminal**, NOT based on the color of the wire.

**!** If the old thermostat has 110/120V wires with wire nuts, it is a high voltage system and not compatible with the Cync Thermostat.

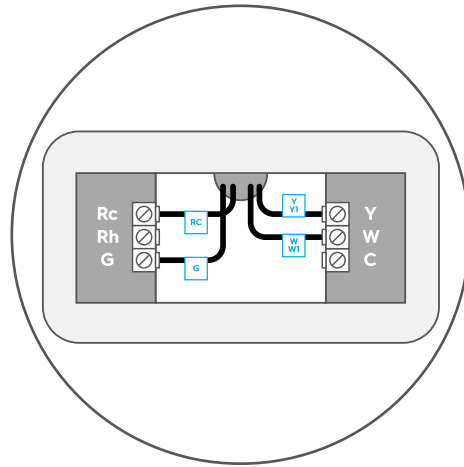
# Check That Your Wiring Is Compatible

If you do not have the wires listed on page 30 or 31, then your wiring is not compatible with the Cync Thermostat.



The PEK requires certain wires to be present to complete installation

Required Wires: 3-Wire Installation
Y or Y1
G
R or Rh or Rc

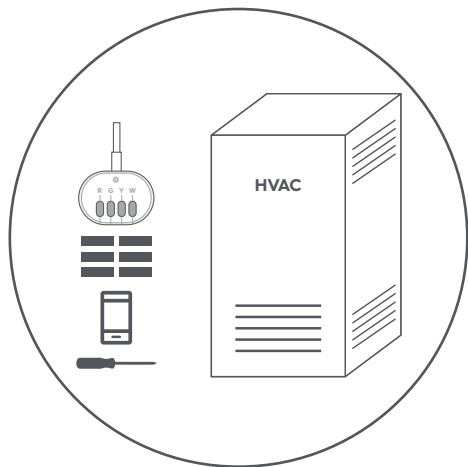


Required Wires: 4-Wire Installation
W or W1
Y or Y1
G
R or Rh or Rc

If you have additional wires like OB, W2, or Y2, label those wires. You'll reinstall them later.

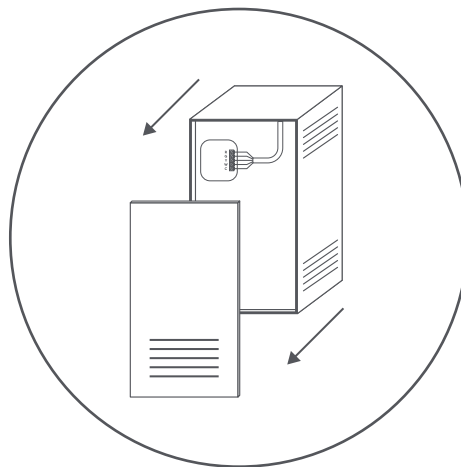


## Locate Your HVAC System



Take your PEK, wire labels, tools, and smartphone to your HVAC system.

## Locate the Thermostat Wiring Inside Your HVAC System



**⚠️ TURN OFF POWER TO HVAC SYSTEM!**

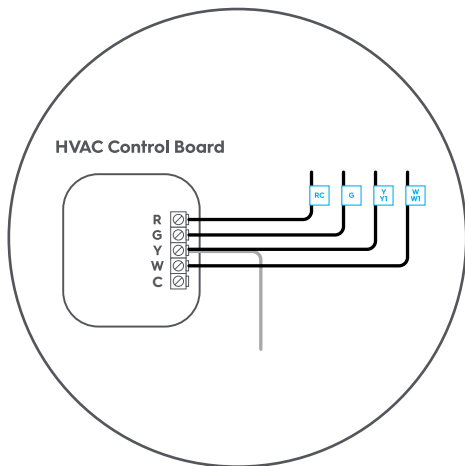
**WARNING:** HVAC systems contain high voltage wires. Use caution when working with control board.

Open your HVAC system's cover to reveal the control board.

Take a picture of the wires connected to your control board for reference later.

For set up help, visit [cyncsupport.gelighting.com](https://cyncsupport.gelighting.com) or call 1-844-302-2943

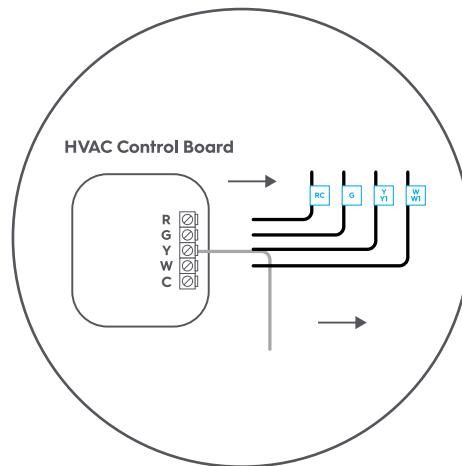
## Label the Wires Going From the Control Board to the Thermostat



Label only the R, Y or Y1, G, and W or W1 wires with the matching labels provided. If you have more than one wire going into these terminals, only label those going to your thermostat.

**NOTE:** 3-wire installations will include only R, Y or Y1, and G wires.

## Disconnect the Wires From the Control Board



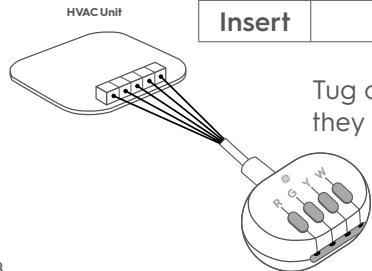
Disconnect the wires labeled R, Y, G, and W from the control board.

**NOTE:** 3-wire installations will include only R, Y or Y1, and G wires.

## Connect the Wires From the PEK to the Control Board

Connect the labels on the PEK to the control board terminals.

	PEK Wire		Control Board Terminal
Insert	R	into	R
Insert	G	into	G
Insert	Y	into	Y
Insert	W	into	W
Insert	C	into	C



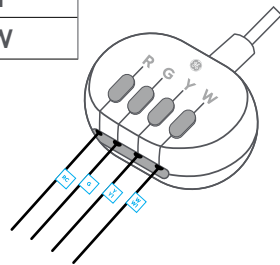
Tug on the wires gently to ensure they are securely connected.

## Insert the Wires From the Thermostat Into the PEK

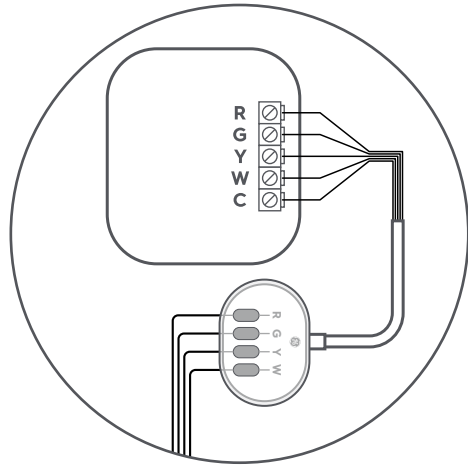
Connect the wires going to the thermostat to the PEK. Press button on top of PEK and then insert wire into the terminal.

	Thermostat Wire		PEK Terminal
Insert	Rc / Rh	into	R
Insert	G	into	G
Insert	Y / Y1	into	Y
Insert	W / W1	into	W

**NOTE:** 3-wire installations will include only R, Y or Y1, and G wires.



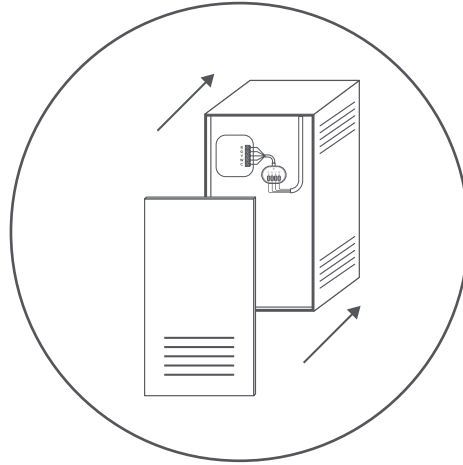
## Mount the Magnetic PEK Inside the HVAC Unit



Check to make sure your PEK is wired between the HVAC control board and the wiring going to the thermostat. Once confirmed, mount the **magnetic** PEK to the side or back of the HVAC unit.

The PEK has a magnetic back. Stick to the side or back of your HVAC unit.

## Close the HVAC Unit



Close the HVAC cover panel making sure no wires are strained or pinched.

**TIP:** Make sure your HVAC panel is fully closed. Some systems may not turn on if the cover panel is not properly closed.

Return to your thermostat.

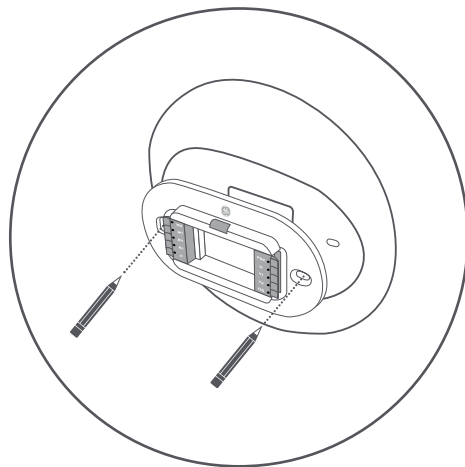
## Disconnect the Wires & Remove the Old Thermostat

Disconnect the wires and unscrew the old thermostat base. Be careful to keep the wires from falling back into the wall.

Hold your Cync Thermostat in its new location. If the old screw holes or an unpainted area are visible, use the optional Trim Plate to cover them.

If the Cync Thermostat doesn't require the optional Trim Plate, skip to **page 44**.

## Mark the Location *With the Optional Trim Plate*

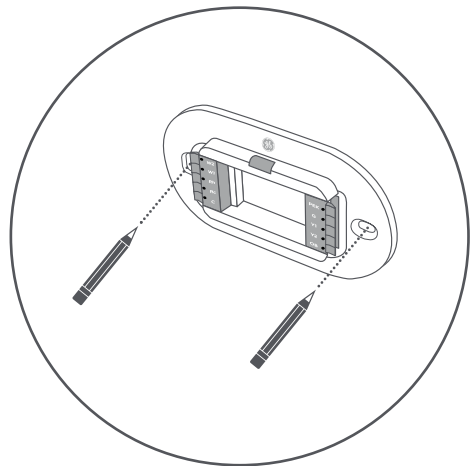


Place the Trim Plate between the wall and Back Plate.

Use the built-in level on the Back Plate to ensure the plate is level.

Mark both holes with a pencil.

## Mark Location *Without* the Optional Trim Plate

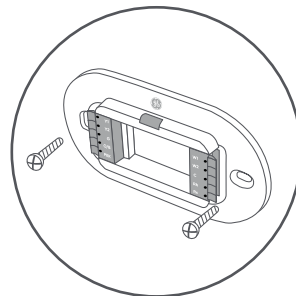


Place Back Plate against the wall.

Use the built-in level to ensure it's level.

Mark both holes with a pencil.

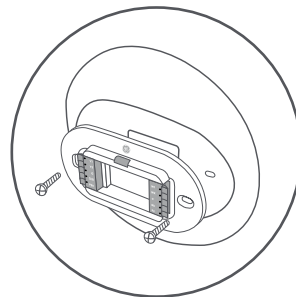
## Drill Holes & Attach the Back Plate



Before drilling make sure there are no pipes or wires behind the wall.

Drill mounting holes for the drywall anchors using  $\frac{1}{4}$ " drill bit. Insert anchors.

Place Back Plate against the wall and screw in both screws.



### **OPTIONAL TRIM PLATE**

Place Trim Plate against the wall with the Back Plate in front. Screw in both screws.

For set up help, visit [cyncsupport.gelighting.com](http://cyncsupport.gelighting.com) or call 1-844-302-2943

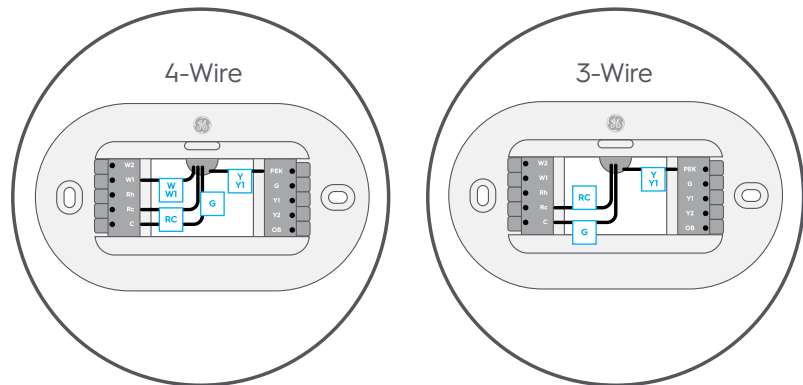
# Insert the Wires Into the Terminals

Press the terminal lever on the side of the Base Plate. Slide the wire into the terminal. The lever will stay depressed when the wire is properly inserted in the terminal.

Insert your labeled wires into the terminals:

	4-Wire Labeled Wire		Thermostat Terminal
Insert	Y / Y1	into	PEK
Insert	W / W1	into	W1
Insert	G	into	C
Insert	Rc / Rh	into	Rc

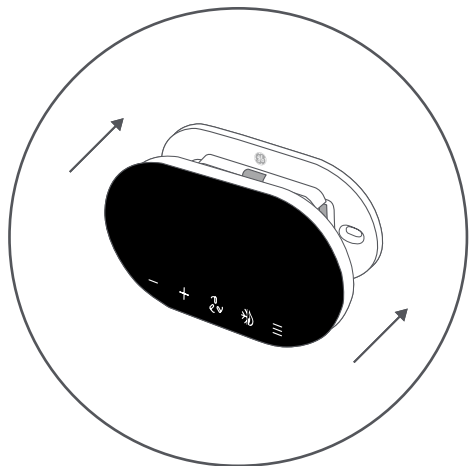
	3-Wire Labeled Wire		Thermostat Terminal
Insert	Y / Y1	into	PEK
Insert	G	into	C
Insert	Rc / Rh	into	Rc



Insert any remaining wires into the corresponding terminals on the Back Plate. Then push excess wires into the wall.

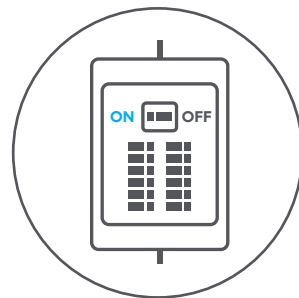
For set up help, visit [cyncsupport.gelighting.com](http://cyncsupport.gelighting.com) or call 1-844-302-2943

## Mount the Thermostat on the Back Plate



Align the Cync Thermostat over the Back Plate. Orient so that the Thermostat control buttons are on the bottom. Gently push the thermostat into place until it clicks.

## Turn the Power Back On



Begin setup in the Cync App within 30 minutes after powering on the thermostat. After 30 minutes, re-enable setup mode by removing the thermostat from the Back Plate and re-attaching it.

Go to **Page 50** for manual instructions and codes to complete setup without using Wi-Fi or the Cync App.

## Congratulations!

You've completed the Cync Thermostat installation




## Manual Setup Without Wi-Fi/Cync App

Make sure your thermostat is in OFF Mode. To initiate manual setup, press and hold – and + buttons together for 10 seconds. Use the – and + buttons to toggle to the desired configuration and lock in the selection by pressing and holding the – and + buttons together for 5 seconds or waiting 30 seconds for it to time out.

Use the Mode button to toggle between 1 or 2 power wires.

If your wiring includes only **one power wire**, like Rc, **set the power wire to 1.**

If your wiring includes **two power wires**, like Rc and Rh, **set the power wires to 2.**

 **Setting the power wires incorrectly may cause damage to the HVAC equipment and/or thermostat.**

## Manual Setup Mode Codes

- 01 - 1 Stage Cooling Conventional
- 02 - 2 Stage Cooling Conventional
- 03 - 1 Stage Heating Conventional - Gas
- 04 - 1 Stage Heating Conventional - Electric
- 05 - 2 Stage Heating Conventional - Gas
- 06 - 2 Stage Heating Conventional - Electric
- 07 - 1 Stage Heating/Cooling Conventional - Gas
- 08 - 1 Stage Heating/Cooling Conventional - Electric
- 09 - 2 Stage Heating/Cooling Conventional - Gas
- 10 - 2 Stage Heating/Cooling Conventional - Electric
- 11 - 1 Compressor Heat Pump (1-AUX) - On Cool - Electric Aux
- 12 - 1 Compressor Heat Pump (1-AUX) - On Cool - Boiler Aux
- 13 - 1 Compressor Heat Pump (1-AUX) - On Cool - Gas Aux
- 14 - 1 Compressor Heat Pump (1-AUX) - On Heat - Electric Aux
- 15 - 1 Compressor Heat Pump (1-AUX) - On Heat - Boiler Aux
- 16 - 1 Compressor Heat Pump (1-AUX) - On Heat - Gas Aux
- 17 - 2 Compressors or 2 Speed Compressor Heat Pump (1-AUX) - On Cool - Electric Aux
- 18 - 2 Compressors or 2 Speed Compressor Heat Pump (1-AUX) - On Cool - Boiler Aux
- 19 - 2 Compressors or 2 Speed Compressor Heat Pump (1-AUX) - On Cool - Gas Aux
- 20 - 2 Compressors or 2 Speed Compressor Heat Pump (1-AUX) - On Heat - Electric Aux
- 21 - 2 Compressors or 2 Speed Compressor Heat Pump (1-AUX) - On Heat - Boiler Aux
- 22 - 2 Compressors or 2 Speed Compressor Heat Pump (1-AUX) - On Heat - Gas Aux
- 23 - 2 Compressors or 2 Speed Compressor Heat Pump (2-AUX) - On Cool - Electric Aux
- 24 - 2 Compressors or 2 Speed Compressor Heat Pump (2-AUX) - On Cool - Boiler Aux
- 25 - 2 Compressors or 2 Speed Compressor Heat Pump (2-AUX) - On Cool - Gas Aux
- 26 - 2 Compressors or 2 Speed Compressor Heat Pump (2-AUX) - On Heat - Electric Aux
- 27 - 2 Compressors or 2 Speed Compressor Heat Pump (2-AUX) - On Heat - Boiler Aux
- 28 - 2 Compressors or 2 Speed Compressor Heat Pump (2-AUX) - On Heat - Gas Aux
- 29 - 1 Stage Heating Conventional - Boiler
- 30 - 2 Stage Heating Conventional - Boiler
- 31 - 1 Stage Heating/Cooling Conventional - Boiler
- 32 - 2 Stage Heating/Cooling Conventional - Boiler

## Additional Information and Warnings

### FCC Compliance Statement and Compliance Notice

This device complies with part 15 of the FCC Rules. Operation is subject to the following two conditions: (1) This device may not cause harmful interference, and (2) this device must accept any interference received, including interference that may cause undesired operation. Any Changes or modifications not expressly approved by the party responsible for compliance could void the user's authority to operate the equipment.

Note: This equipment has been tested and found to comply with the limits for a Class B digital device, pursuant to part 15 of the FCC Rules. These limits are designed to provide reasonable protection against harmful interference in a residential installation. This equipment generates uses and can radiate radio frequency energy and, if not installed and used in accordance with the instructions, may cause harmful interference to radio communications. However, there is no guarantee that interference will not occur in a particular installation. If this equipment does cause harmful interference to radio or television reception, which can be determined by turning the equipment off and on, the user is encouraged to try to correct the interference by one or more of the following measures:

- Reorient or relocate the receiving antenna.
- Increase the separation between the equipment and receiver.
- Connect the equipment into an outlet on a circuit different from that to which the receiver is connected.
- Consult the dealer or an experienced radio/TV technician for help.

## IC Warning:

### Canada IC Compliance Statement

This device contains licence-exempt transmitter(s)/receiver(s) that comply with Innovation, Science and Economic Development Canada's licence-exempt RSS(s). Operation is subject to the following two conditions:

- (1) This device may not cause interference.
- (2) This device must accept any interference, including interference that may cause undesired operation of the device.

Le présent appareil est conforme aux CNR d'Industrie Canada applicables aux appareils radio exempts de licence. L'exploitation est autorisée aux deux conditions suivantes:

- (1) l'appareil ne doit pas produire de brouillage, et
- (2) l'utilisateur de l'appareil doit accepter tout brouillage radioélectrique subi, même si le brouillage est susceptible d'en compromettre le fonctionnement.

### Canada IC Radiation Exposure Statement

This equipment complies with IC radiation exposure limits set forth for an uncontrolled environment. This equipment should be installed and operated with 20cm between the radiator & your body.

Pour se conformer aux exigences de conformité CNR 102 RF exposition, une distance de séparation d'au moins 20 cm doit être maintenue entre l'antenne de cet appareil et toutes les personnes.



**Like your new Thermostat?  
Share your experience!**

Leave a review where you purchased  
the product.



PK-00107052-1

GE and C by GE are trademarks of General Electric Company. Used under trademark license.