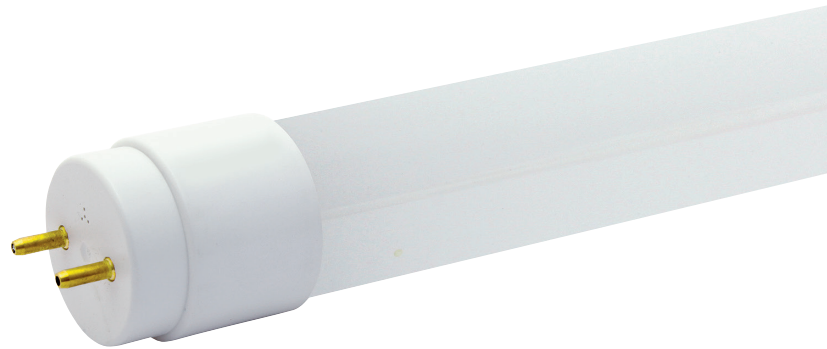


# GE LED Tube



## BEFORE YOU BEGIN

Read these instructions completely and carefully.

### WARNING

#### RISK OF ELECTRIC SHOCK

Turn off power before servicing or installing the product

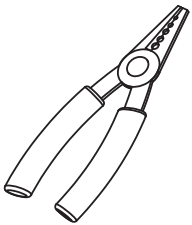
#### RISK OF FALL

Tube may fall if not installed properly, follow installation instructions

#### RISK OF INJURY

Wear safety glasses during installation and maintenance

### Tools Required

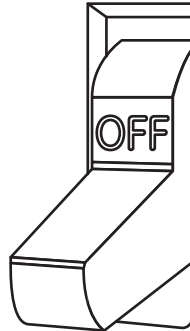


Pliers



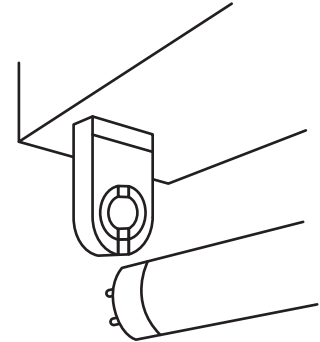
**Step 1**

Ensure that the power to the unit is turned off. Use proper Lock out and Tag out procedures where applicable.



**Step 2**

Remove existing lamps from the luminaire.



**Step 3**

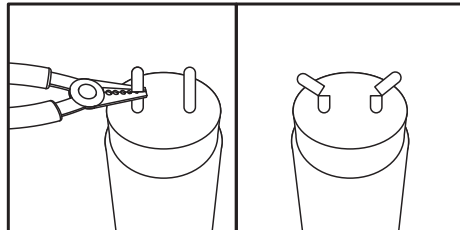
			<b>LED13T8U840/2PKL</b> Made in China	LED tube lamp compatible with T8 and T12 electronic ballasts, T12 magnetic ballasts	<b>CAUTION</b>	<small>Risk of electric Shock-Suitable for Damp Locations.Risk of Fire-Use Only in Place of Fluorescent Lamps Specified on Label.Direct Replacement for 25W/48T8,28W/48T8,30W/48T8,32W/48T8,40W/48T12 Lamps Only.</small>
--	--	--	--	---	----------------	---

Check that the label on the lamp reads **LED13T8U840/2PKL**

If it does, continue to step 4. If it does not your lamp is not impacted by this recall and can be reinstalled. Directions for reinstalling non-impacted lamps are below.

**Step 4**

Disable the impacted lamp by using a pair of pliers to bend the two pins on one end.



**Step 5**

Discard the lamps in accordance with your local disposal laws and regulations.

**Step 6**

Repeat Steps 1 to 5 for other tubes in use.

**How to reinstall any non-impacted lamps**

- Make sure that the power to the unit is turned off
- Re-insert all tubes into the lamp holder
- Restore the power supply and make sure lamps are operating correctly

