

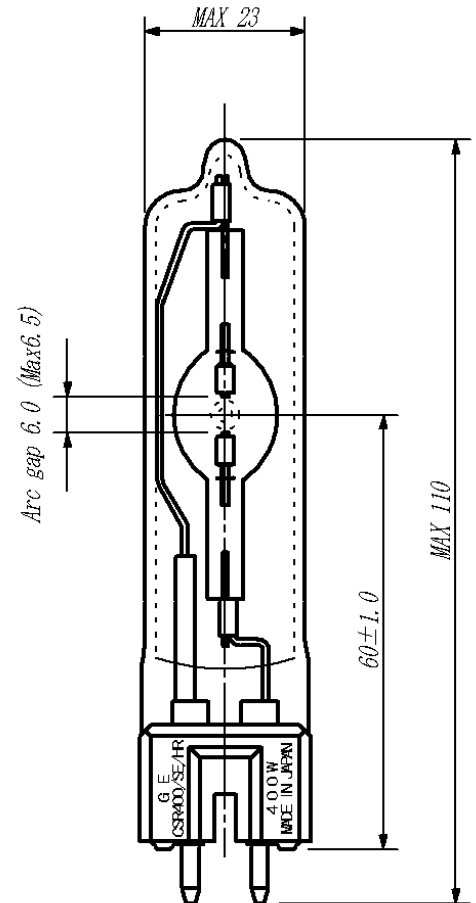
# CSR Lamps

The GE CSR400/SE/HR lamp is a metal halide lamp with an outer jacket and a small arc gap of 6 mm providing greater optical control and luminance. This lamp is compact and suitable for hot restrike applications. The CSR400/SE/HR is mainly used in event lighting, studio, and film lighting.

## Product Description CSR400/SE/HR

•Order Description	CSR400/SE/HR
•Product Code	21853
•Pack Quantity	10
•Rated Wattage	400W
•Rated Voltage	70V±10V
•Lamp Current (ECG/MCG)*	6.9A
•Ignition Voltage (cold/hot)	2.5/25MAX
•Lumens	32,000 Lm
•Lumens per watt	80
•Ra	>85
•Chromaticity coordinates	x 0.323 y 0.320
•Color temperature	6,000K
•Arc Length	MAX6.5 mm
•Lamp length	MAX110
•Light center length	60±1.0
•Lamp diameter	MAX φ23
•Average rated life	750hr
•Base	GZ29.5

\*ECG = electronic control gear/ MCG = Magnetic control gear



## Lamp Operation

Burn Position	Any
Maximum Seal Temperature	350° C
Cooling	Forced Cooling/Fan
Lamp can be used on electronic or AC magnetic Ballast/igniters	

## Application Information

- Do not exceed rated wattage or voltage
- Replace lamp at or before rated life
- Do not exceed rated seal temperature
- Use only with properly rated fixtures and ballasts



GE and General Electric are both registered trademarks of the General Electric Company, USA. © General Electric Company (USA) 2006

GE Consumer & Industrial Specialty Lighting is constantly developing and improving its products. For this reason, all product descriptions in this brochure are intended as a general guide, and we may change specifications time to time in the interest of product development, without prior notification or public announcement. All descriptions in this publication present only general particulars of the goods to which they refer and shall not form part of any contract. Data in this guide has been obtained in controlled experimental conditions. However, GE Lighting cannot accept any liability arising from the reliance on such data to the extent permitted by law.

CSR400/SE/HR - Data sheet - July 2006