

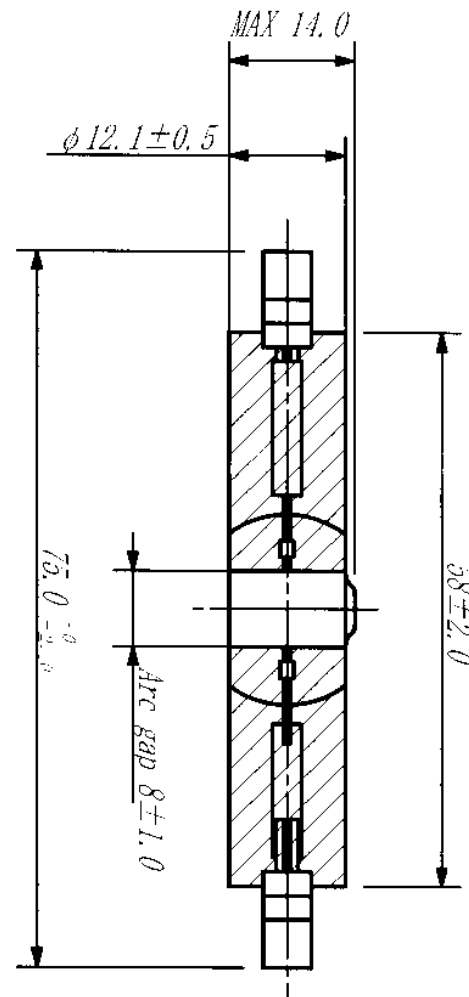
# CSR Lamps

The GE CSR200/DE is a double ended metal halide lamp that provides high efficiency, excellent color rendering, hot restrike capability, and a daylight color temperature. The CSR200/DE is used in the film and event lighting field of entertainment lighting

## Product Description CSR200/DE

•Order Description	CSR200/DE
•Product Code	48450
•Pack Quantity	10
•Rated Wattage	200W
•Rated Voltage	80± V
•Lamp Current (ECG/MCG)*	2.5A
•Ignition Voltage (cold/hot)	5/25(MAX)
•Lumens	16,000 Lm
•Lumens per watt	80
•Ra	>90
•Chromaticity coordinates	x 0.323 y 0.325
•Color temperature	6,000K
•Arc Length	8(MAX)mm
•Lamp length	75MAX
•Light center length	
•Lamp diameter	MAX14
•Average rated life	300hr
•Base	X515

\*ECG = electronic control gear/ MCG = Magnetic control gear



## Lamp Operation

Burn Position	H15
Maximum Seal Temperature	350° C
Cooling	Forced Cooling/Fan
Lamp can be used on electronic or AC magnetic Ballast/igniters	

## Application Information

- Do not exceed rated wattage or voltage
- Replace lamp at or before rated life
- Do not exceed rated seal temperature
- Use only with properly rated fixtures and ballasts



GE imagination at work

GE and General Electric are both registered trademarks of the General Electric Company, USA. © General Electric Company (USA) 2006

GE Consumer & Industrial Specialty Lighting is constantly developing and improving its products. For this reason, all product descriptions in this brochure are intended as a general guide, and we may change specifications time to time in the interest of product development, without prior notification or public announcement. All descriptions in this publication present only general particulars of the goods to which they refer and shall not form part of any contract. Data in this guide has been obtained in controlled experimental conditions. However, GE Lighting cannot accept any liability arising from the reliance on such data to the extent permitted by law.

CSR200/DE - Data sheet - April 2008