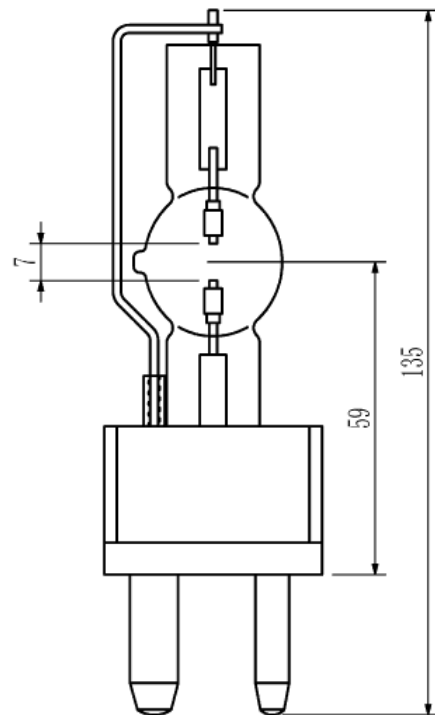


CSR Lamps

The GE CSR1200/SA lamp is a single ended metal halide lamp without an outer jacket . It's small arc gap of 7 mm provides greater optical control and luminance. This lamp is compact, highly efficient, and is a cold start lamp with a maximum seal temperature of 500° C . The CSR1200/SA is mainly used in event lighting..

Product Description CSR1200/SA

•Order Description	CSR1200/SA
•Product Code	21849
•Pack Quantity	6
•Rated Wattage	1200W
•Rated Voltage	100± 10V
•Lamp Current (ECG/MCG)*	13.8A
•Ignition Voltage (cold/hot)	5
•Lumens	96,000 Lm
•Lumens per watt	80
•Ra	>75
•Chromaticity coordinates	x 0.326 y 0.330
•Color temperature	5,800K
•Arc Length (C)	7.5 mm
•Lamp length (A)	MAX135
•Light center length (B)	59± 1.0
•Lamp diameter	-
•Average rated life	750hr
•Base	GY22



*ECG = electronic control gear/ MCG = Magnetic control gear

Lamp Operation

Burn Position	Any
Maximum Seal Temperature	500° C
Cooling	Forced Cooling/Fan
Lamp can be used on electronic or AC magnetic Ballast/igniters	

Application Information

- Do not exceed rated wattage or voltage
- Replace lamp at or before rated life
- Do not exceed rated seal temperature
- Use only with properly rated fixtures and ballasts



GE imagination at work

and General Electric are both registered trademarks of the General Electric Company, USA. © General Electric Company (USA) 2006

GE Consumer & Industrial Specialty Lighting is constantly developing and improving its products. For this reason, all product descriptions in this brochure are intended as a general guide, and we may change specifications time to time in the interest of product development, without prior notification or public announcement. All descriptions in this publication present only general particulars of the goods to which they refer and shall not form part of any contract. Data in this guide has been obtained in controlled experimental conditions. However, GE Lighting cannot accept any liability arising from the reliance on such data to the extent permitted by law.

CSR1200/SA - Data sheet - April 2008