

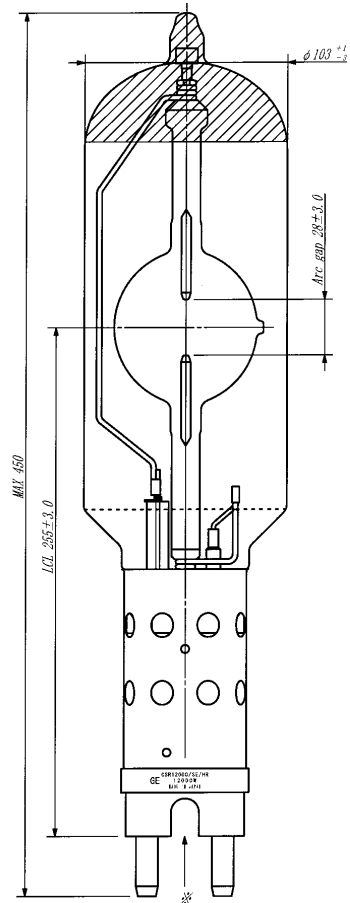
CSR Lamps

The GE CSR12000/SE/HR lamp is a metal halide lamp with an outer jacket and an arc gap of 28 mm providing greater optical control and luminance. This lamp is compact and suitable for hot restrike applications. The CSR12000/SE/HR is mainly used in studio, and film lighting.

Product Description CSR12000/SE/HR

•Order Description	CSR12000/SE/HR
•Product Code	48468
•Pack Quantity	4
•Rated Wattage	12,000W
•Rated Voltage	160± V
•Lamp Current (ECG/MCG)*	75.0A
•Ignition Voltage (cold/hot)	8/60(MAX)
•Lumens	1,100,000 Lm
•Lumens per watt	92
•Ra	>90
•Chromaticity coordinates	x 0.323 y 0.328
•Color temperature	6,000K
•Arc Length	28(MAX)mm
•Lamp length	MAX450
•Light center length	255±
•Lamp diameter	MAX104
•Average rated life	250
•Base	G38

*ECG = electronic control gear/ MCG = Magnetic control gear



Lamp Operation

Burn Position	Any
Maximum Seal Temperature	350° C
Cooling	Forced Cooling/Fan
Lamp can be used on electronic or AC magnetic Ballast/igniters	

Application Information

- Do not exceed rated wattage or voltage
- Replace lamp at or before rated life
- Do not exceed rated seal temperature
- Use only with properly rated fixtures and ballasts



GE imagination at work

and General Electric are both registered trademarks of the General Electric Company, USA. © General Electric Company (USA) 2006

GE Consumer & Industrial Specialty Lighting is constantly developing and improving its products. For this reason, all product descriptions in this brochure are intended as a general guide, and we may change specifications time to time in the interest of product development, without prior notification or public announcement. All descriptions in this publication present only general particulars of the goods to which they refer and shall not form part of any contract. Data in this guide has been obtained in controlled experimental conditions. However, GE Lighting cannot accept any liability arising from the reliance on such data to the extent permitted by law.

CSR12000/SE/HR - Data sheet - July 2006