

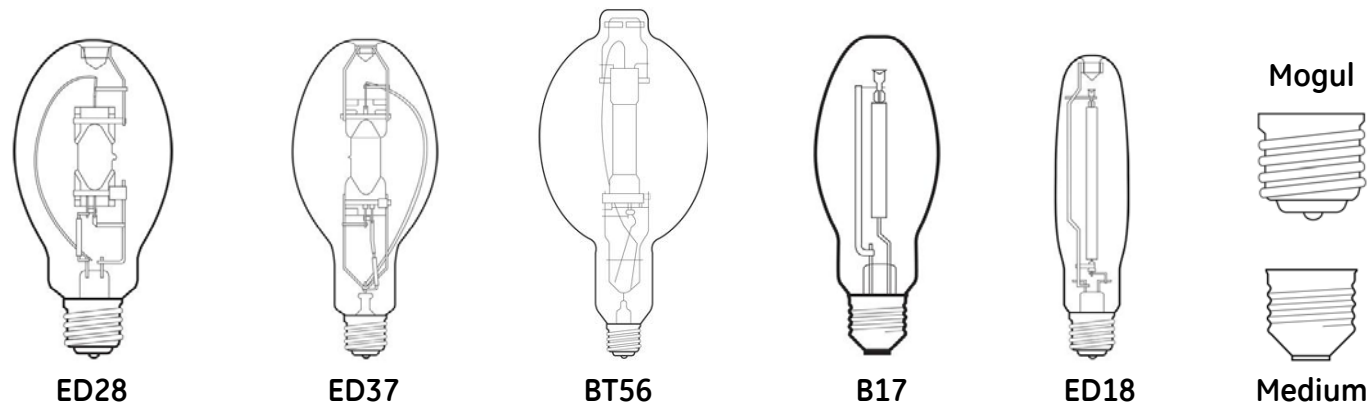
GE HID Lamp & Ballast Kits

GE Consumer & Industrial
Lighting

Ordering Code	Description	Ballast Voltages/Taps	Lamp & Ballast ANSI #	Lamp Watts	Lamp Base Type	Lamp Type Shape	Lamp Enclosure Type
Metal Halide Kits							
71701	GEM175ML5AC3-55	120/208/240/277/480V	M57	175W	Mogul	ED28 Clear	Enclosed
71702	GEM250ML5AC3-55	120/208/240/277/480V	M58	250W	Mogul	ED28 Clear	Enclosed
71703	GEM400ML5AC4-55	120/208/240/277/480V	M59	400W	Mogul	ED37 Clear	Enclosed
71704	GEM1000ML5AC5-55	120/208/240/277/480V	M47	1000W	Mogul	BT56 Clear	Enclosed

High Pressure Sodium Kits							
71705	GES100MLTLC3D-55	120/208/240/277V	S54	100W	Medium	B17 Clear	Open
71706	GES250ML5AC4-55	120/208/240/277/480V	S50	250W	Mogul	ED18 Clear	Open
71707	GES400ML5AC4-55	120/208/240/277/480V	S51	400W	Mogul	ED18 Clear	Open

* All Lamp Types Universal Burning Position



GE HID Lamp & Ballast Kits

Get the job done the first time with one easy kit...



Transforming the **POWER** of Light™

GE National Customer Service Center
1-888-GEBALLAST (432-2552)

For product specifications and application information, please consult GE's Website:
www.gelighting.com

Information provided is subject to change without notice. Please verify all details with GE. All values are design or typical values when measured under laboratory conditions, and GE makes no warranty or guarantee, express or implied, that such performance will be obtained under end-use conditions.



imagination at work

Transforming the **POWER** of Light™

GE Lamp & Ballast Kits

GE delivers the kit that gives the “bucket truck” contractor/installer everything he needs to get the job done right the first time. GE’s 5-tap ballasts offer five different taps so the contractor is equipped for all common voltages in commercial and industrial applications.

These kits allow lighting and electrical distributors the opportunity to better manage their inventories and provide the convenience on one stocking SKU per application instead of two or more. The contractor benefits from the ease of having everything needed in one carrying case when going high on the job.

Avoid the additional cost and inconvenience of returns due to lamp and ballasts, incompatibility, the wrong voltage ballast, or breakage due to handling multiple packages on the job site.



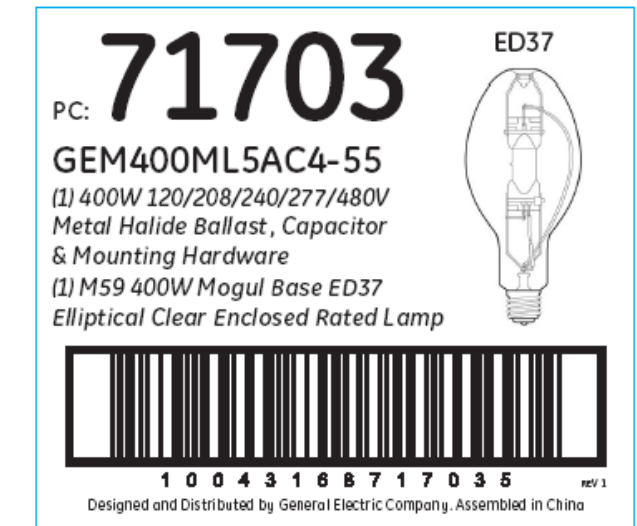
Kit Contents

- GE lamp
- 5-Tap (120/208/240/277/480V) Core & Coil Ballast
- Pre-wired Capacitor
- Pre-wired Ignitor if applicable (HPS and Pulse Start Kits)
- Mounting Bracket & Hardware

The Packaging Advantage

Durable packaging avoids costly breakage

GE HID Lamp & Ballast Kits are packed in double corrugated packaging with inner support to withstand the tough handling and potential mistakes that can happen on the job.



Ballast Label

- Quick ID Lamp & Ballast Label
- Quick ID Wiring Diagram
- Replacement Capacitor Ratings
- Replacement Ignitor Ratings
- **1-888-GEBALLast** for quick answers

Easy Carrying Case

The two durable carrying handles eliminate the potential of breaking the lamp or ripping the packaging.

Quick Identification Labels

Labels clearly identify:

- Kit Contents
- Ballast Type
- Lamp ANSI Code & Wattage
- Lamp Base Type
- Lamp Type/Shape

