

TOP/DBX PREMIUM

Class II indoor downlighters with
Biax™ D/E lamp & electronic ballast

DATA SHEET



General description

TOP/DBX PREMIUM compliments its surroundings thanks to the fixture's distinctive aesthetic design. The reflector design results in excellent light distribution and delivers a high efficiency level. It has also been certified with the highest approval marks, protection and insulation indexes.

Thanks to its impressive light output ratio, a full range of accessories and the aesthetic appeal of the luminaire's design, the TOP/DBX PREMIUM range is an ideal lighting solution for multiple applications including retail, offices, corridors, shopping centers and conference rooms.

Types

- TOP/DBX PREMIUM PC with polycarbonate ring
- TOP/DBX Premium ALU with aluminium ring

Wide range of accessories

TOP/DBX PREMIUM PC (polycarbonate ring)

- Polycarbonate comfort louvre
- Polycarbonate diffuser IP44
- Polycarbonate silver ring
- White polycarbonate square frame
- White polycarbonate oval frame

TOP/DBX PREMIUM ALU (aluminium ring)

- Suspended decorative glass (white or silver ring)

Structure and material

- **TOP/DBX PREMIUM PC with polycarbonate ring**
Body: impact-resistant, self-extinguishing polycarbonate. IP20
- **TOP/DBX Premium ALU with aluminium ring**
Body: impact-resistant, self-extinguishing polycarbonate. IP44

Electrical and gear compartment

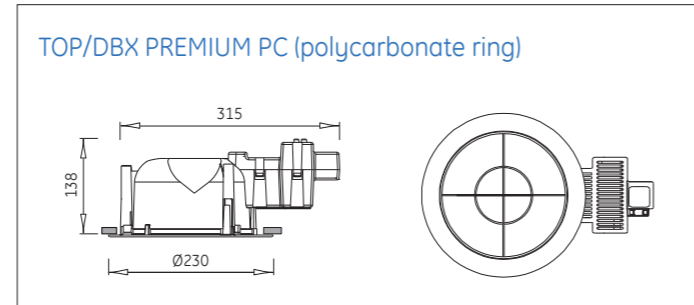
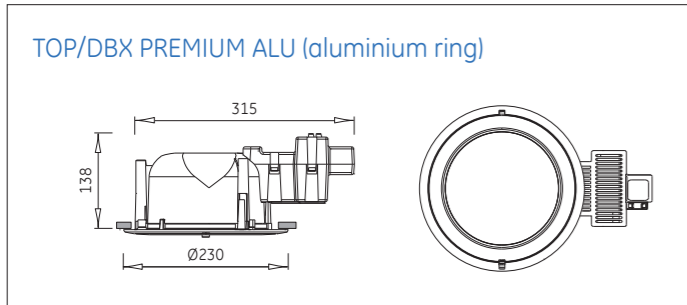
230-240V/50-60Hz electronic ballast.

Wiring connector with 2.5mm² clamp screws.

- Electronic ballast: 1x13W, 2x13W, 1x18W, 2x18W, 1x26W, 2x26W.
- Electronic dimmable ballast: 1-10V: 2x18W, 2x26W.
- Electronic 1H emergency version: 2x18W, 2x26W.
- Electronic DALI ballast: available on request.



Dimensions



Optics

TOP/DBX PREMIUM PC (polycarbonate ring)

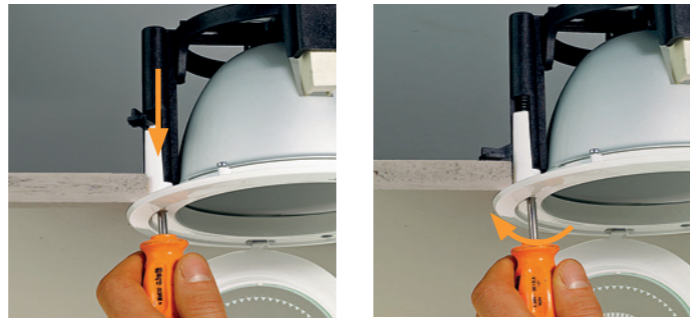
- Fittings with fixed optic.
- Reflector: high resistant metallized polycarbonate reflector.
- Diffuser: shockproof safety diffuser in clear unbreakable polycarbonate or louvre in metallized polycarbonate.
- Louvre: metallized polycarbonate.
- Retaining ring: white polycarbonate (silver as accessory).

TOP/DBX PREMIUM ALU (aluminium ring)

- Fittings with fixed optic.
- Reflector: high resistant metallized polycarbonate reflector.
- Diffuser: tempered and silk-screened safety glass IP44.
- Retaining ring: die cast aluminium white or silver accessories.

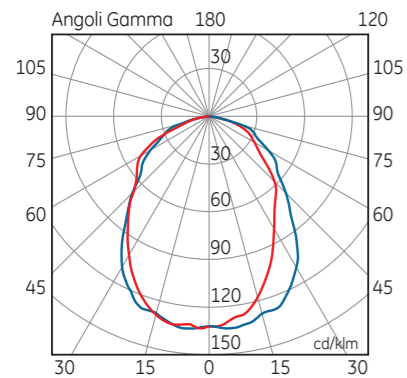
Installation

Easy to fit into false ceilings with a thickness from 1 to 30mm. The spring system enables the fitting to be installed and removed without damage, even in the case of soft mineral fiber false ceilings.

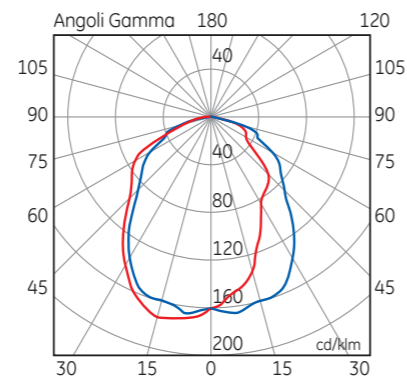


Photometric data

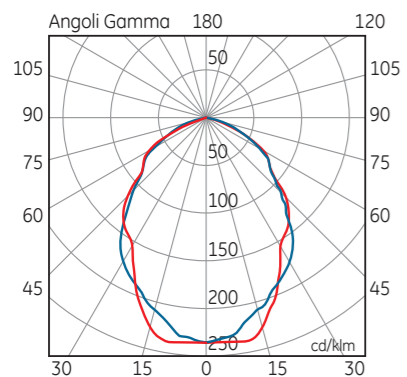
TOP/DBX Premium PC with louvre 2x18



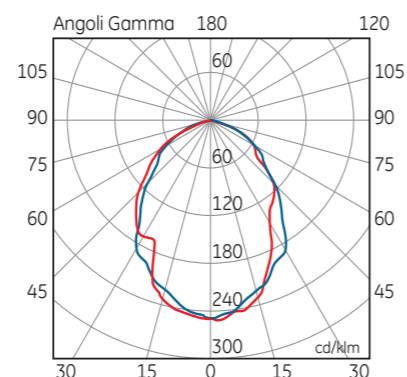
TOP/DBX Premium 2x18



TOP/DBX Premium 2x26



TOP/DBX Premium PC with louvre 2x26



Product specification

TOP/DBX PREMIUM PC (polycarbonate ring)

CEI 34.21 / EN 60598-1, IEC 60598 – 230-240V/50-60Hz – Class II – IP20

TOP/DBX PREMIUM PC WHITE

Watt (W)	Description	Lamp qty & type	Weight (kg)	Pack qty	Product code
with electronic ballast - ENEC 03					
13W	TOP/DBX PR PC 1x13W	1 x F13DBX/835/4Pin	0.61	1	77556
13W	TOP/DBX PR PC 2x13W	2 x F13DBX/835/4Pin	0.79	1	77559
18W	TOP/DBX PR PC 1x18W	1 x F18DBX/835/4Pin	0.63	1	77557
18W	TOP/DBX PR PC 2x18W	2 x F18DBX/835/4Pin	0.82	1	77560
26W	TOP/DBX PR PC 1x26W	1 x F26DBX/835/4Pin	0.64	1	77558
26W	TOP/DBX PR PC 2x26W	2 x F26DBX/835/4Pin	0.84	1	77561
with dimmable electronic ballast					
18W	TOP/DBX PR PC 2x18W Dimm	2 x F18DBX/835/4Pin	0.99	1	77562
26W	TOP/DBX PR PC 2x26W Dimm	2 x F26DBX/835/4Pin	1.01	1	77563
with emergency electronic ballast - emergency 1 hour battery					
18W	TOP/DBX PR PC 2x18W EES	2 x F18DBX/835/4Pin	1.78	1	77564
26W	TOP/DBX PR PC 2x26W EES	2 x F26DBX/835/4Pin	1.80	1	77565

Luminaire complete with lamp Biax™ D/E, colour 3500K

TOP/DBX PREMIUM PC Accessories

Description	Weight (kg)	Pack qty	Product code
Comfort louvre	0.05	4	77566
Polycarbonate diffuser IP44	0.16	4	77568
Polycarbonate silver ring	0.15	4	77570
Square frame, white	0.45	1	77572
Oval frame, white	0.31	1	77585

TOP/DBX PREMIUM ALU (aluminium ring)

CEI 34.21 / EN 60598-1, IEC 60598 – 230-240V/50-60Hz – Class II – IP44

TOP/DBX PREMIUM ALU WHITE

Watt (W)	Description	Lamp qty & type	Weight (kg)	Pack qty	Product code
with electronic ballast - ENEC 03					
13W	TOP/DBX PR AL 1x13W	1 x F13DBX/835/4Pin	1.12	1	77586
13W	TOP/DBX PR AL 2x13W	2 x F13DBX/835/4Pin	1.37	1	77605
18W	TOP/DBX PR AL 1x18W	1 x F18DBX/835/4Pin	1.13	1	77587
18W	TOP/DBX PR AL 2x18W	2 x F18DBX/835/4Pin	1.40	1	77620
26W	TOP/DBX PR AL 1x26W	1 x F26DBX/835/4Pin	1.14	1	77588
26W	TOP/DBX PR AL 2x26W	2 x F26DBX/835/4Pin	1.42	1	77607
with dimmable electronic ballast					
18W	TOP/DBX PR AL 2x18W Dimm	2 x F18DBX/835/4Pin	1.57	1	77608
26W	TOP/DBX PR AL 2x26W Dimm	2 x F26DBX/835/4Pin	1.59	1	77609
with emergency electronic ballast - emergency 1 hour battery					
18W	TOP/DBX PR AL 2x18W EES	2 x F18DBX/835/4Pin	2.39	1	77610
26W	TOP/DBX PR AL 2x26W EES	2 x F26DBX/835/4Pin	2.41	1	77612

Luminaire complete with lamp Biax™ D/E, colour 3500K

TOP/DBX PREMIUM ALU WHITE Accessories

Description	Weight (kg)	Pack qty	Product code
Suspended decorative glass	0.47	1	77626

TOP/DBX PREMIUM ALU SILVER

Watt (W)	Description	Lamp qty & type	Weight (kg)	Pack qty	Product code
with electronic ballast - ENEC 03					
13W	TOP/DBX PR AL 1x13W	1 x F13DBX/835/4Pin	1.12	1	77615
13W	TOP/DBX PR AL 2x13W	2 x F13DBX/835/4Pin	1.37	1	77618
18W	TOP/DBX PR AL 1x18W	1 x F18DBX/835/4Pin	1.13	1	77616
18W	TOP/DBX PR AL 2x18W	2 x F18DBX/835/4Pin	1.40	1	77619
26W	TOP/DBX PR AL 1x26W	1 x F26DBX/835/4Pin	1.14	1	77617
26W	TOP/DBX PR AL 2x26W	2 x F26DBX/835/4Pin	1.42	1	77621
with dimmable electronic ballast					
18W	TOP/DBX PR AL 2x18W Dimm	2 x F18DBX/835/4Pin	1.57	1	77622
26W	TOP/DBX PR AL 2x26W Dimm	2 x F26DBX/835/4Pin	1.59	1	77623
with emergency electronic ballast - emergency 1 hour battery					
18W	TOP/DBX PR AL 2x18W EES	2 x F18DBX/835/4Pin	2.39	1	77624
26W	TOP/DBX PR AL 2x26W EES	2 x F26DBX/835/4Pin	2.41	1	77625

Luminaire complete with lamp Biax™ D/E, colour 835

TOP/DBX PREMIUM ALU SILVER Accessories

Description	Weight (kg)	Pack qty	Product code
Suspended decorative glass	0.47	1	77627