

PFE-1000



Product information

The different optics available provide a rectangular beam and offer extraordinary vertical cut-off control. Luminaire & ballast are supplied and tested by GE, ensuring the best possible product quality. GE lamps can be ordered separately.

Application: illumination of extensive outdoor areas such as car parks, sports facilities, recreational areas, facades, airport aprons, motorway junctions and intersections.

Structures and materials

Housing in two parts (housing and door) in die-cast aluminium, electrostatically sprayed with a polyester powder paint finish, following anti-corrosion priming, and oven cured at 180°C. Standard colour: RAL 9011 black. Hinged, detachable access door.

Electrical and gear compartment

Gear tray: electrical unit fitted to removable tray. With a protection degree IP55. For HPS and Metal Halide lamps up to 1000W.

Insulation: Class I.

Optics

Optical assembly sealed providing IP55, comprising:
Lens: flat tempered glass lens sealed with silicone to the door.
Reflector: aluminium reflectors with various optics offering a rectangular beam.
Gasket: EPDM gasket between housing and door.

Maintenance

Front access to lamp and control gear.
Screw opening of luminaire.

Installation

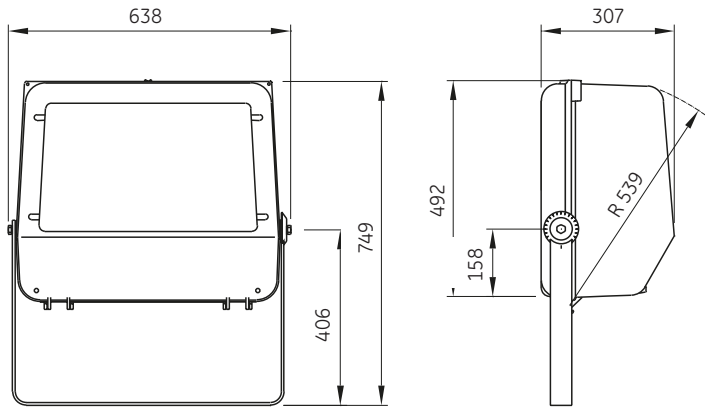
Mounting by way of heavy-gauge steel brackets with aiming degree indicator.
Other brackets available upon request.
Aiming by way of integrated sight.

Accessories/options

- The floodlight may incorporate a fuse. FUS option.
- Accessories for glare control visors and louvres, polycarbonate vandal shields, wire guards, etc.



Dimensions [mm]



Specifications

Dimensions [mm]	749x638x307 (length x width x height)
Weight [kg]	17.00 - 24.00
Ballast	MH and HPS, 230V, 50Hz
Protection Degree	Full IP55, Optical assemble and gear compartment
Class	Class I
Windage load [m ²]	0.28
Operating Temperature [°C]	25°C. Contact us for higher temperatures
Regulations	CEI 34.21/EN60598 -1, IEC 60598

PFE-1000

Description	Lamp	Product code
Optics: 6x2		
PFE-1000 6X2 HPS 400W	LU400/T/40	519587
PFE-1000 6X2 HPS 600W	LU600/XO/T/40	519591
PFE-1000 6X2 HPS 1000W	LU1000/110/T/40	519595
Optics: 6x3		
PFE-1000 6X3 HPS 400W	LU400/T/40	519588
PFE-1000 6X3 HPS 600W	LU600/XO/T/40	519592
PFE-1000 6X3 HPS 1000W	LU1000/110/T/40	519596
Optics: 6x5		
PFE-1000 6X5 HPS 400W	LU400/T/40	519589
PFE-1000 6X5 HPS 600W	LU600/XO/T/40	519593
PFE-1000 6X5 HPS 1000W	LU1000/110/T/40	519597
PFE-1000 6X5 MH1000W	MVR1000/U/40	519599
Optics: 7x7		
PFE-1000 7X7 HPS 400W	LU400/T/40	519590
PFE-1000 7X7 HPS 600W	LU600/XO/T/40	519594
PFE-1000 7X7 HPS 1000W	LU1000/110/T/40	519598
PFE-1000 7X7 MH1000W	MVR1000/U/40	519600

Luminaire supplied without lamp

Photometric data

PFE-1000/6x2/VHPS1000
FIXED LAMPHOLDER POSITION

