

Okapi



Grey 150 sable IP66 IP44 IK08 8 KG CE

StreetWise

Product information

The perfect combination between the aesthetic and functionality makes this luminaire the perfect solution for the replacement of luminaires with low energy efficiency and important light nuisances Okapi luminaire operates with lamps of up to 100W and it is ideal for efficient lighting of walkways, parks & gardens up to 4m high.

Structures and materials

Housing: in three pieces (housing, door and arm), all of them in die-cast aluminium with a polyester powder paint finish and oven cured.

Standard colour: grey 150 sable.

Vertical mounting: through Ø48-60mm diameter pole.

Two safe screws: included in the lower housing allowing an easy luminaire opening.

Screws: stainless steel.

Electrical and gear compartment

Placed into the lower housing and isolated from the environment with a protection degree IP44 as an option IP66 is available, comprising:

Ballast support board: manufactured with galvanized steel for magnetic ballast and aluminium for electronic ballast, and is easily removable. Ballast, ignitor and capacitor are mounted on this board.

The Gear tray support: HPS ballast and MH from 50W to 100W.

Electronic version: for both HPS and MH 70-100W power reduction MH and HPS up to 100W and Class II HPS and MH up to 100W

Tubular lamp recommended. For other options, please contact us.

Optics

Optical assembly hermetically sealed providing IP66, comprising:

Glass: curved or flat tempered glass sealed to the reflector through silicone.

Lampholder: E27 & E40 ceramic lampholder depending on lamp. Multi-position support allowing longitudinal lamp adjustment for optimal light distribution.

Reflector: 2 different reflectors available, one optimized for HPS lamps and the other for CMH StreetWise™ lamps.

Both reflectors are made of high purity aluminium in one piece, finish achieved through anodizing process.

Reflector neck: polyamide, high-temperature resistant.

Gasket: the lamp holder is mounted into the reflector neck through a compression silicone gasket to ensure excellent ingress protection.

Breather

Maintenance

Access to the optic block by opening the two screws placed into the lower housing.

Easy and quick lamp maintenance by manually removing the lamp holder support from the front of the luminaire.

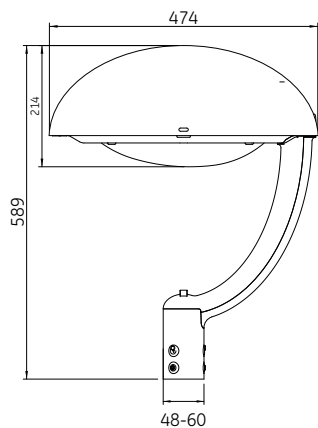
A "twist and lock" mechanism releases the lamp holder from the neck reflector.

Accessories/options

- Class II, electronic ballast.
- Other RAL colors available on request.

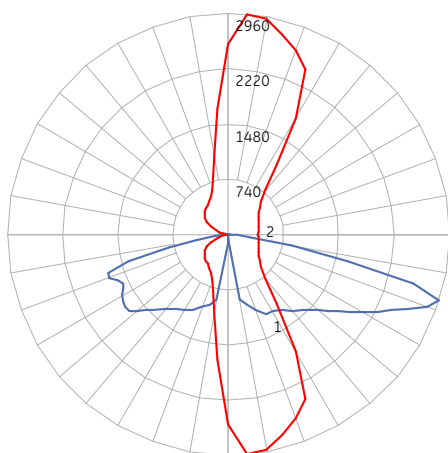


Dimensions [mm]

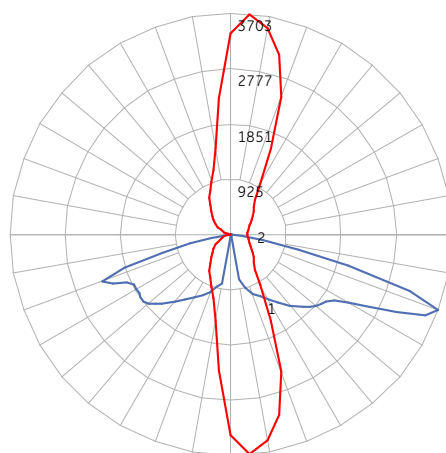


Photometric data

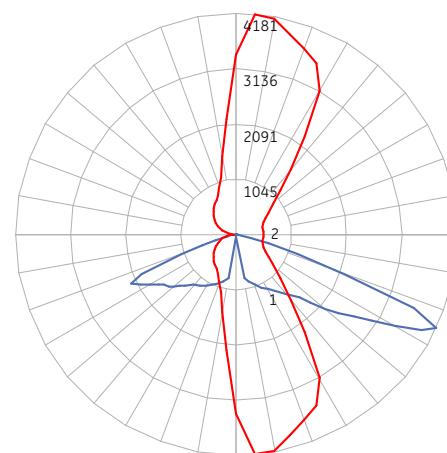
Okapi/VC/SW 70W



Okapi/VT 70W



Okapi/VT/SW 70W



Main characteristics

Dimensions [mm]	Ø474 x 589 (diameter x height)
Weight [kg]	8kg. Ballast included.
Side Surface [m ²]	0.17
Pole Mounting [mm]	Ø48-60
Ballast	HPS and MH up to 100W, 50/60Hz, 230V (magnetic) 208-277V (electronic)
Reflector	Symmetric
Protection Degree	IP66 for Optical assemble and IP44 or IP66 for gear compartment
Operating Temperature [°C]	25°C. Contact us for higher temperatures
Regulations	CEI 34.21/EN60598, IEC 60589