



# GE Lighting Fittings

GE Lighting/Appliances España, S.A.  
Division Luminarias

Avda. Galileo Galilei, 11  
Parque Empresarial LA CARPETANIA  
28906 GETAFE (Madrid)-SPAIN

+34.91.205.9800  
Fax: +34.91.205.9801/02  
division.luminarias@ge.com

173181  
77D5T013 Rev.2  
Fecha/Date: 17-06-11

## OKAPI



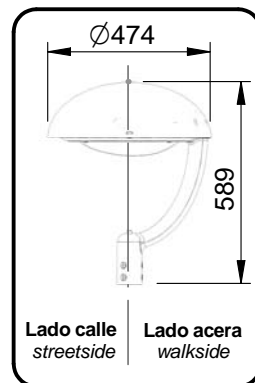
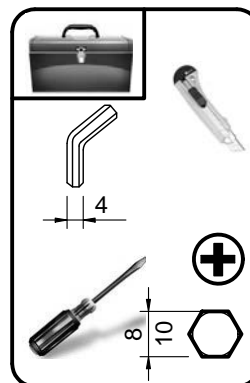
Class I   
option    
CE

IP 44(EQ) IP 66 (Optical)  IP 66

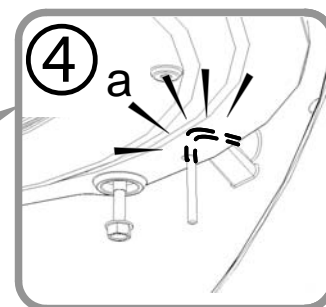
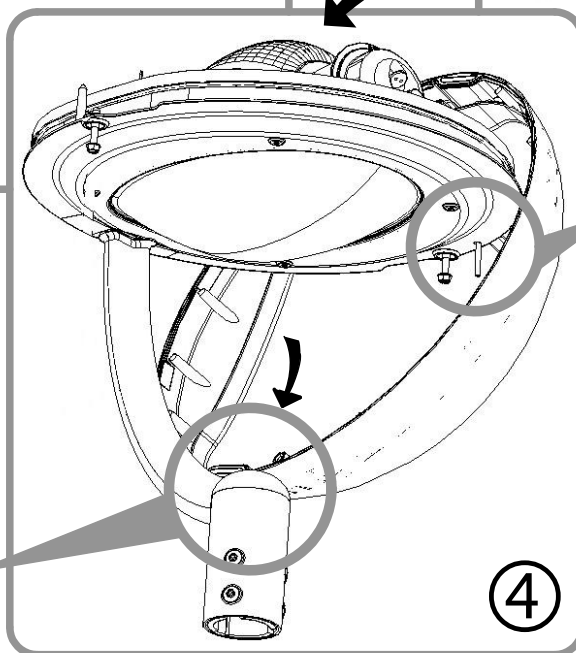
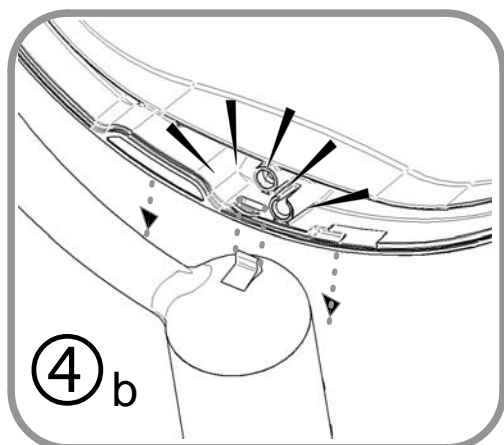
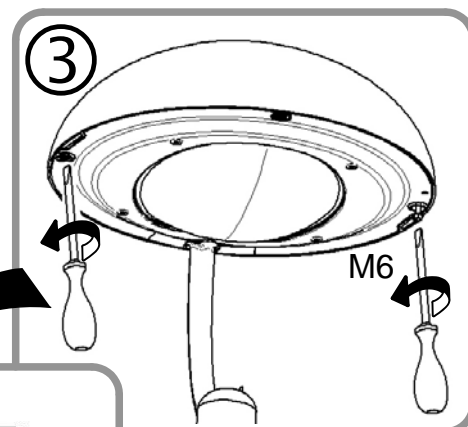
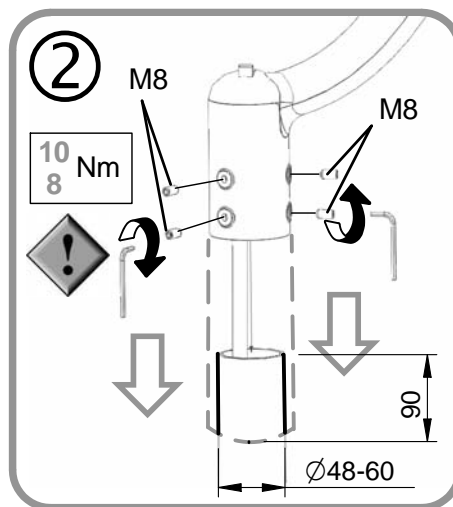
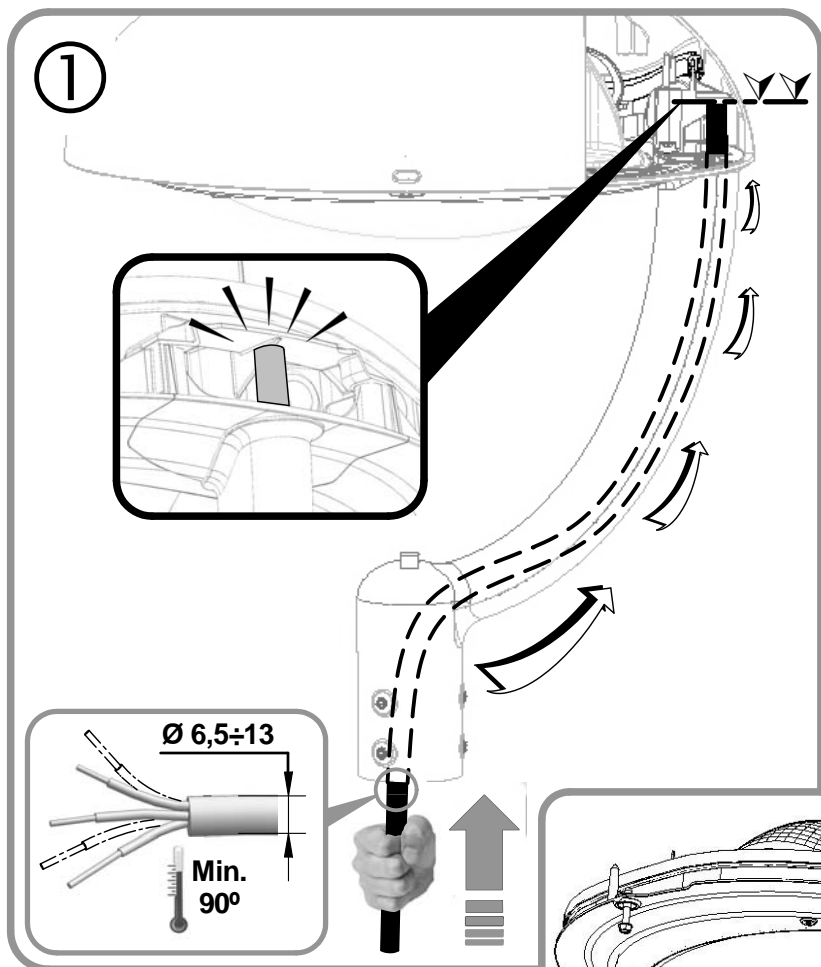
IK 08 Flat Glass (VT)

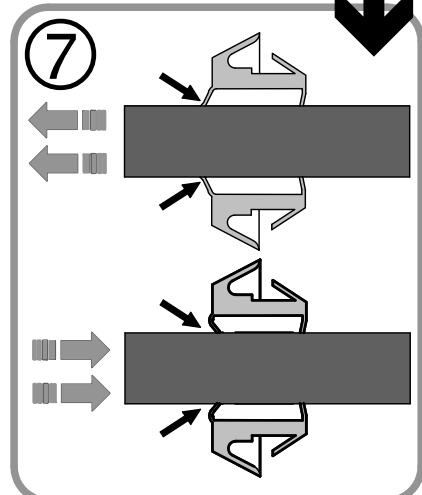
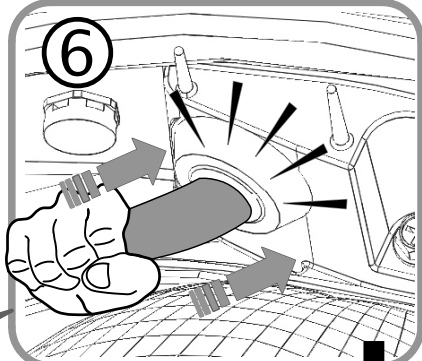
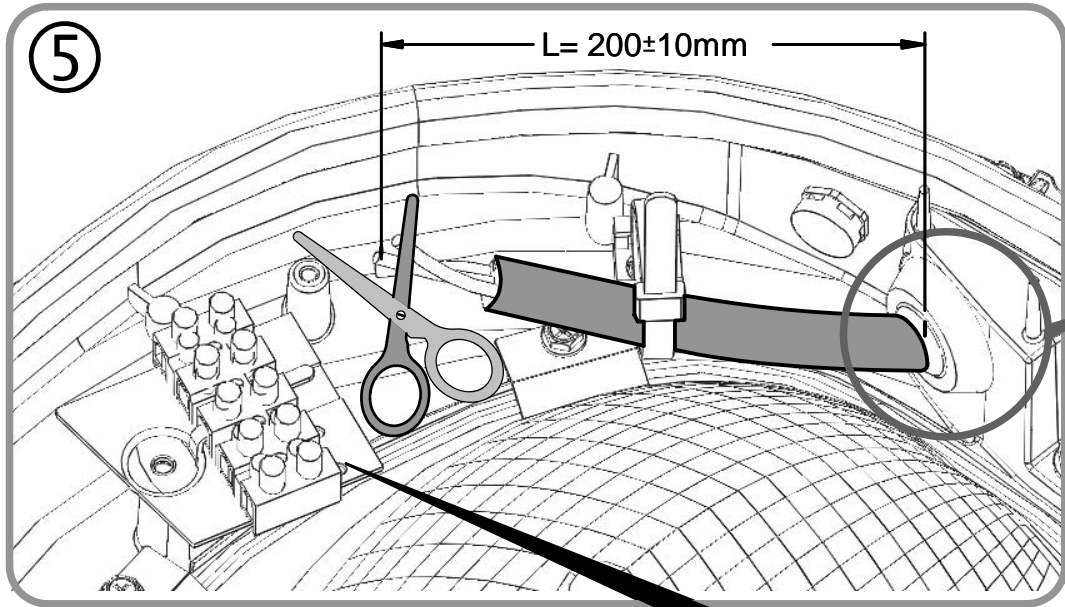
IK 07 Curved Glass (VC)

| Potencia<br>Power     | (Kg)                         |                            | SCx<br>m2 |
|-----------------------|------------------------------|----------------------------|-----------|
|                       | Vidrio curvo<br>Curved glass | Vidrio plano<br>Flat glass |           |
| HPS/CMH SW 50W        | 7,69                         | 7,67                       | 0,17      |
| HPS/MH<br>CMH SW 70W  | 7,69                         | 7,67                       | 0,17      |
| HPS/MH<br>CMH SW 100W | 7,69                         | 7,67                       | 0,17      |

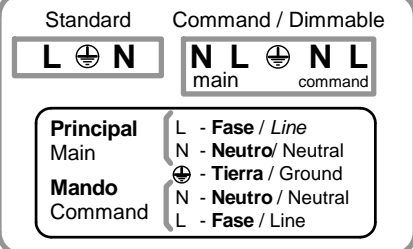
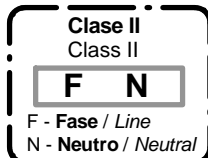
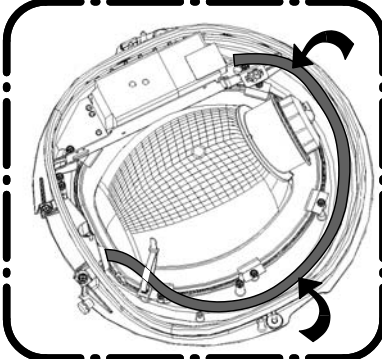


## INSTRUCCIONES INSTRUCTIONS



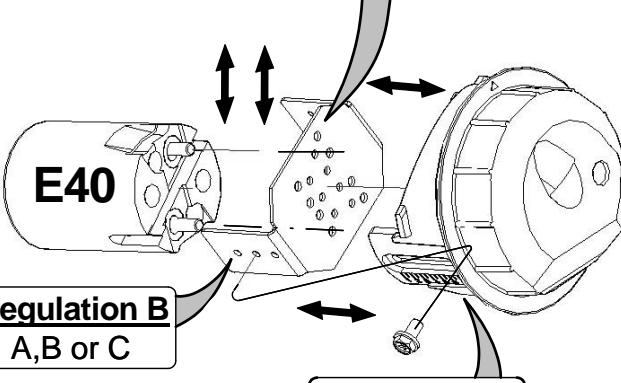
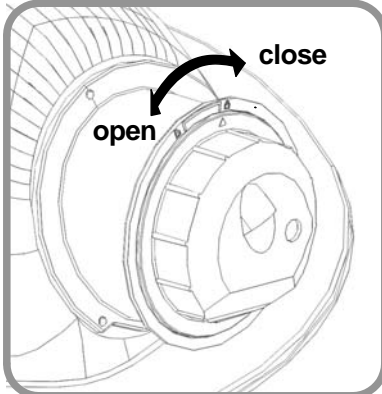
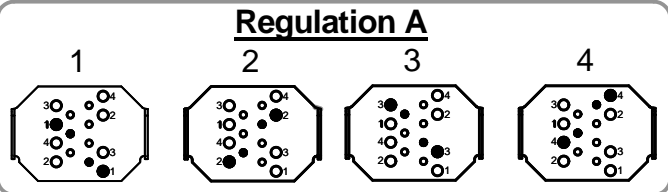


**Instalación para Clase II**  
Installation for Class II



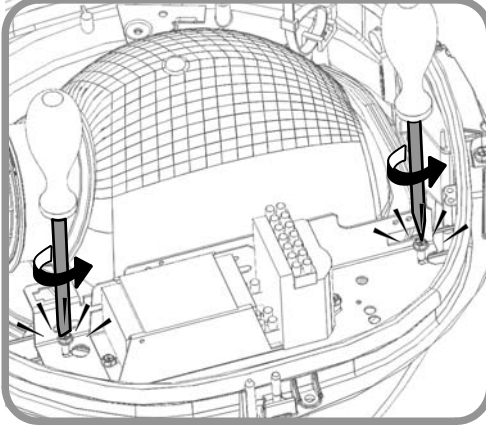
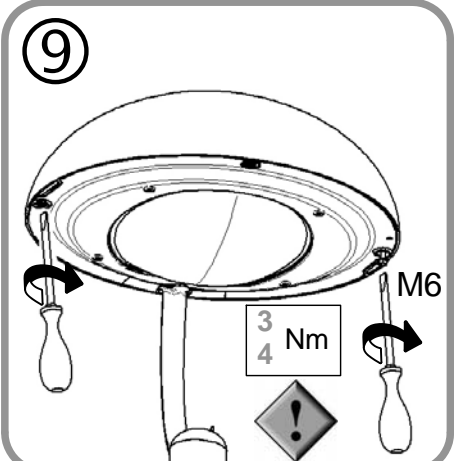
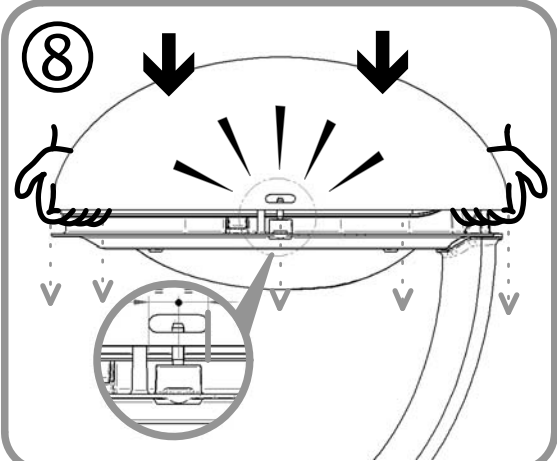
| Potencia<br>Power | Posición recomendada<br>Recommended position |   |   |    |   |   |
|-------------------|--|---|---|----|---|---|
|                   | VC   |   |   | VT |   |   |
|                   | A  | B | C | A  | B | C |
| HPS 50W           | 2  | C | 5 | 2  | C | 5 |
| HPS 70W           | 2  | C | 5 | 2  | C | 5 |
| HP 100W           | 3  | B | 5 | 2  | B | 5 |
| CMH SW 50W        | 2  | C | 3 | 4  | C | 3 |
| MH/CMH SW 70W     | 2  | C | 3 | 4  | C | 3 |
| MH/CMH SW 100W    | 3  | B | 5 | 2  | B | 5 |

Sólo lámparas tubulares  
Tubulars lamps only



**Regulation B**  
A, B or C

**Regulation C**  
1, 2, 3, 4, 5, 6, y 7



**Sustitución de la unidad eléctrica**  
Electrical replacement