

GE LED Accent GEN2 LED Lighting System

Product information

Add additional lighting layers to highlight your spaces with GE LED Accent Lighting. Decorate objects, trim or accent pieces by skirting with even light uniformity and color consistency. These low profile LED lighting modules work in harmony with other lighting elements and structures to provide subtle emphasis and drama to indoor design elements.

Features and benefits

- Uniform light distribution
- Consistent color with 3 step MacAdam ellipse binning
- Cut between every module for the right length
- Modular, low-voltage 12VDC system for easy installation
- Dimmable with GE 0-10V Dimming LED Driver or GE Dimming Module with GE LED Driver and compatible dimming controller
- IP54, dry or damp location rated
- Optional linear track for straight alignment can be mounted at 0° or 30°

Application

- Small spaces where other lighting technology won't physically fit
- Dramatic light layering with nominal energy consumption

LED Technology

- Long rated life: 50,000 hours
- Energy Efficient
- 5 year limited warranty

Can be cut between any module to fit any length

Low profile and narrow modules fit in the smallest of spaces

3 step MacAdam ellipse binning provides high quality color consistency

Uses remote low voltage 12VDC driver

Diffuse lens provides even light distribution



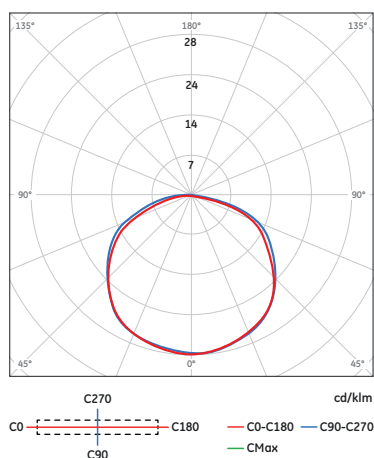
Specifications

Product Code	Description Code	CCT [K]	CCT +/-	Lens	Strip w/Module (per ft, per m)	System w/Module (per ft, per m)	Lm/Module	LPW (System)
93013521	GEWWNL2-27K-A	2700	+90 /-40	115°	0.78 (1.95, 6.39)	0.97 (2.40, 7.95)	82 (205, 672)	85
93013525	GEWWNL2-30K-A	3000	+115 /-65	115°	0.78 (1.95, 6.39)	0.97 (2.40, 7.95)	83 (208, 680)	86
93013526	GEWWNL2-35K-A	3500	+120 /-120	115°	0.78 (1.95, 6.39)	0.97 (2.40, 7.95)	84 (210, 689)	87
93013527	GEWWNL2-40K-A	4000	+121 /-151	115°	0.78 (1.95, 6.39)	0.97 (2.40, 7.95)	85 (213, 698)	88

Accessories

Product Code	Description Code	Product Description	Quantity
75514	9409	18 AWG Supply Wire (0.82 mm2)	500 ft. (152.4 m)/PK
75545	19216004	18-14 AWG In-line Splice Connector (0.82-2.08 mm2)	500/PK
75612	GEDM1-A	Tetra™ Dimming Module (0-10V)	1/ea
65459	NL1-MT48/0	Mounting Track 0° or 30° Angle, 48in.(1219mm)	5/PK
67824	GEPS12-60UGL-IP	LED Driver (12VDC/60W); Input Voltage: 120-277VAC; Damp Location Rated	1/PK
74914	GE020/G/V12T1-B	LED Driver (12VDC/20W); Input Voltage: 90-264VAC; Damp Location Rated	1/PK
79044	GE060/MV/D12T1-A	0-10V Dimming LED Driver (12VDC/60W); Input Voltage: 90-305VAC; Damp Location Rated	1/PK

Typical photometrical features



CANDELA(CD) MEASUREMENTS

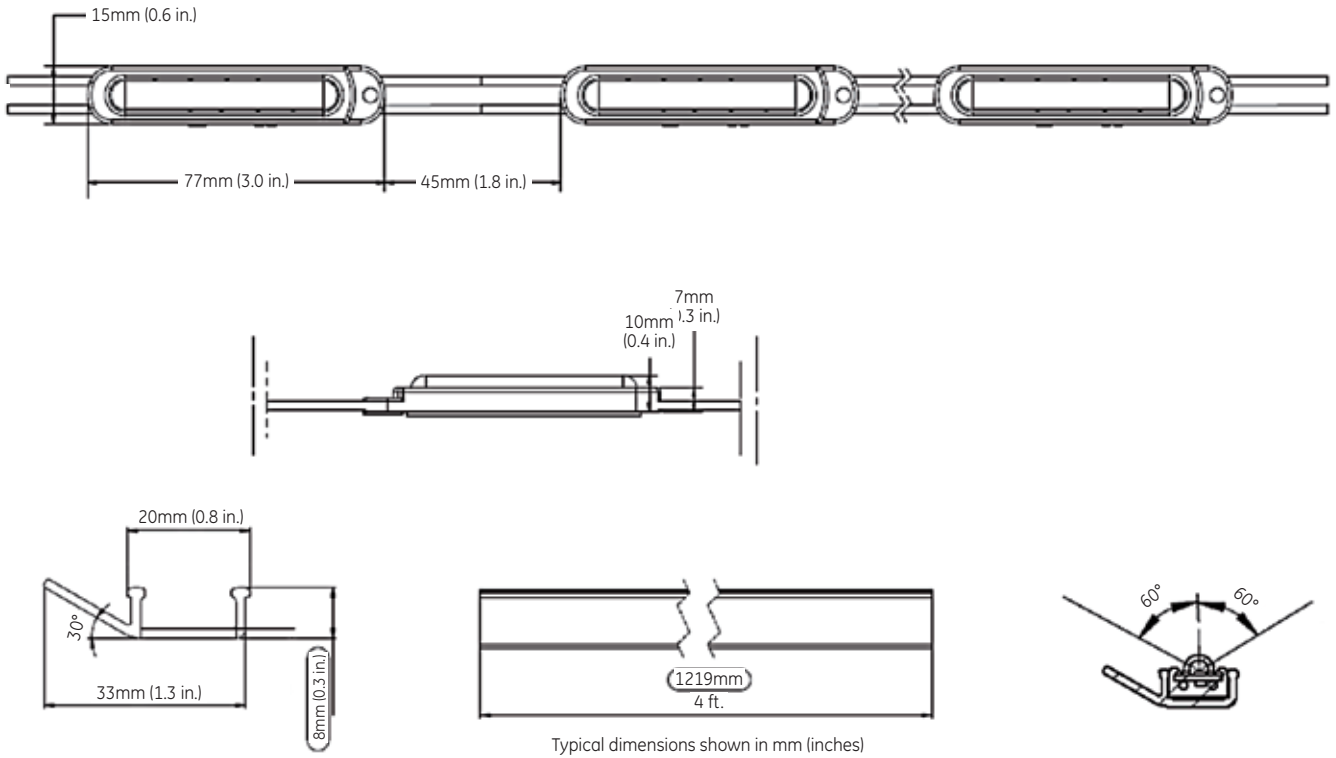
	4000K		3500K		3000K		2700K	
	V	H	V	H	V	H	V	H
0°	28.6	28.6	28.5	28.5	27.9	27.9	27.8	27.8
10°	28.4	28.1	28.3	28.0	27.7	27.5	27.6	27.3
20°	26.9	26.6	26.8	26.5	26.3	26.0	26.1	25.8
30°	24.1	24.1	24.0	24.0	23.6	23.5	23.4	23.4
40°	20.7	21.3	20.6	21.1	20.3	20.8	20.1	20.6
50°	16.8	17.9	16.6	17.7	16.4	17.5	16.2	17.3
60°	12.4	13.9	12.2	13.7	12.2	13.5	11.9	13.4
70°	8.0	9.4	7.8	9.2	7.8	9.2	7.6	9.0
80°	3.4	3.9	3.2	3.8	3.3	3.8	3.2	3.7
90°	0.9	0.9	0.8	0.9	0.9	0.9	0.8	0.8

CANDELA(CD) MEASUREMENTS

CENTER BEAM ILLUMINANCE (LX)			
4000K	3500K	3000K	2700K
1229.3	1225.3	1200.4	1196.1
307.3	306.3	300.1	299.0
136.6	136.1	133.4	132.9
76.8	76.6	75.0	74.8
49.2	49.0	48.0	47.8
34.1	34.0	33.3	33.2

	4000K		3500K		3000K		2700K	
	V	H	V	H	V	H	V	H
0.5 ft (0.15m)	0.45	0.51	0.44	0.50	0.45	0.45	0.44	0.50
1.0 ft (0.30m)	0.90	1.01	0.88	1.01	0.90	0.90	0.88	1.01
1.5 ft (0.46m)	1.35	1.52	1.32	1.51	1.35	1.35	1.32	1.51
2.0 ft (0.61m)	1.80	2.03	1.76	2.01	1.80	1.80	1.76	2.01
2.5 ft (0.76m)	2.25	2.54	2.20	2.51	2.25	2.25	2.20	2.51
3.0 ft (0.91m)	2.70	3.04	2.64	3.02	2.70	2.70	2.64	3.02

Dimensional Drawings [mm]



Technical specifications

Operating Voltage: 12VDC System

Driver maximum loading:

20W: 24 modules (9.4 ft., 2.9 m)

60W: 68 modules (27.2 ft., 8.3 m)

Dimming: Dimmable with GE 0-10V Dimming LED Driver or GE Dimming Module with GE LED Driver and compatible dimming controller

Module Weight: 0.02lb (0.01kg)

Limited Warranty: 5 years

Max remote mounting distance:

60W: 50 ft. (15.2 m), 75 ft. (22.9 m), 125 ft. (38.1 m), 225 ft. (68.6 m)

20W: 175 ft. (53.4 m)

Supply Wire Gauge:

18 AWG (0.82 mm²) supply wire

16 AWG (1.31 mm²) supply wire

14 AWG (2.08 mm²) supply wire

12 AWG (3.31 mm²) supply wire

Wire size: 18AWG (0.82 mm²)

Modules per ft.: 2.5

Modules per Strip: 50 modules (20 ft., 6.1 m)

Ambient Temperature: -40°C to +60°C

CRI: >=80

Environmental Rating: IP54, dry or damp location rated

System Certifications:



This product is intended solely for the use of non-residential architecture lighting and is not intended for any other applications.

www.gelighting.com

and General Electric are both registered trademarks of the General Electric Company

GE Lighting is constantly developing and improving its products. For this reason, all product descriptions in this brochure are intended as a general guide, and we may change specifications time to time in the interest of product development, without prior notification or public announcement. All descriptions in this publication present only general particulars of the goods to which they refer and shall not form part of any contract. Data in this guide has been obtained in controlled experimental conditions. However, GE Lighting cannot accept any liability arising from the reliance on such data to the extent permitted by law.

LED Accent GEN2 Data Sheet - January 2016