

LED PAR 20/30/38

75, 100 & 120W equivalent



DATA SHEET

Product information

GE's new LED PAR range combines a high intensity spotlight beam with substantial energy savings. The PAR38 design delivers a dazzling 7,000 candelas and 120W equivalent Lumen output from only 18W of power, saving nearly 90% in energy consumption. Additionally, the 40,000 hours L70 life time offers significant reduction to maintenance costs by sharply reducing replacement frequency.

Features & benefits

- "A+" Energy Class
- 500-1300 total lumens
- 40,000 Life hours at L70
- Available in 2700 and 3000K
- PAR20/PAR30 lamps are suitable for damp location use (IP51)
- PAR38 lamps are suitable for wet location use (IP65)
- Retrofit

Application areas



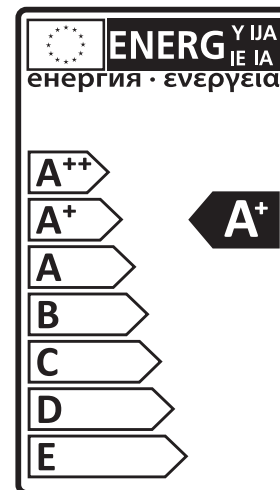
Retail



Hospitality



Residential



Compliance

- EN 55015 Limits and methods of measurement of radio disturbance characteristics of electrical lighting
- EN 61547 Equipment for general lighting purposed EMC immunity requirements
- EN 61000-3-2 Limits for harmonic current emissions (equipment rated current $\leq 16A$)
- EN 61000-3-3 Limitation of voltage fluctuations and flicker in low voltage supply systems (equipment rated current $\leq 16A$)
- IEC 62471 Photo biological safety of lamps and lamp systems
- IEC 60061 Lamp Caps and holders together with gauges for the control of interchangeability and safety



GE imagination at work

Specifications

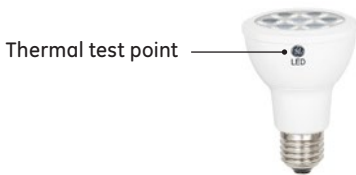
Type	Rated Power [W]	Base	CCT [K]	DIM2 Lumen [lm]	Total Lumens [lm]	Rated Angle	CBCP	Life L70 [hrs]	EEC	Energy Consumption [kwh/100h]	Pack Qty	Product Code
PAR20	7	E27	2700	450	500	35	1100	40,000	A+	7.00	1/6	13509
PAR20	7	E27	3000	500	550	35	1200	40,000	A+	7.00	1/6	13513
PAR30	12	E27	2700	850	900	35	2500	40,000	A+	12.00	1/6	13514
PAR30	12	E27	3000	950	1000	35	2700	40,000	A+	12.00	1/6	13398
PAR38	12	E27	2700	850	900	25	4000	40,000	A+	12.00	1/6	13385
PAR38	18	E27	2700	1200	1300	25	7000	40,000	A+	18.00	1/6	13387

Common attributes

- Colour Rendering Index >84
- Input Voltage: 90-240V
- Warm up time: Instant on
- Switching Cycles: 40,000
- Power factor: 0.9

Recommended operation temperature

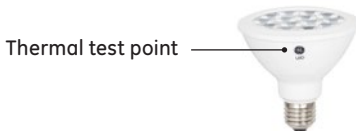
Ambient temperature range -20°C to 40°C.



Thermal test point

Par20 Desired outputs

Ths Max for L70	85°C
THs Max for B50	85°C



Thermal test point

Par30 Desired outputs

Ths Max for L70	80°C
THs Max for B50	80°C



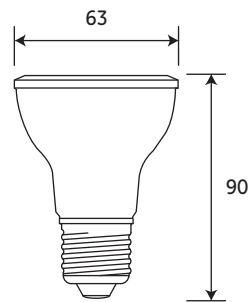
Thermal test point

Par38 Desired outputs

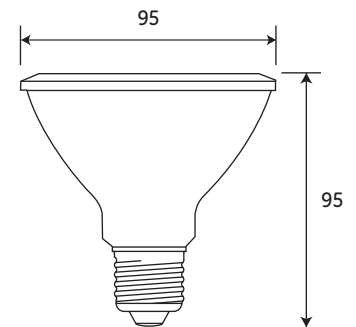
Ths Max for L70	80°C
Ths Max for B50	80°C

Dimensions [mm]

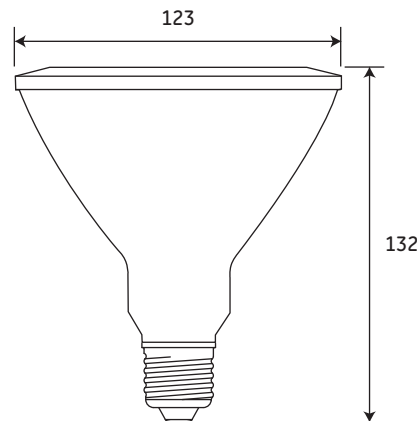
PAR 20



PAR 30



PAR 38



Operation and maintenance

- Store and use the lamps the same way as traditional halogen or incandescent lamps.
- Lamp and lamp holder should be kept free from contamination.
- Do not use if the bulb is broken.
- Ensure lamp is cool before removing.
- These LED PAR20/30/38 replacements are non-dimmable lamps