

# LED Omni-directional GLS

8W, 12W & 14W replacements  
for 40W, 60W and 75W

DATA SHEET

## Product information

GE's LED retrofit lamps offer great possibility to replace incandescent, compact fluorescent or halogen lamps with a 2700K Extra Warm White LED lamp with wide light distribution (230°, 255°) for general lighting. GE LEDs are very economical and environmentally friendly: they are mercury free, use far less energy than halogen or incandescent lights, and last longer. They fit into everyday light fittings and the light comes on the instant you flick the switch.



## Features

- 8W = 40W equivalent
- 470 Lumens
- 2700 Kelvin Colour Temperature
- 12W = 60W equivalent
- 810 Lumens
- 2700 Kelvin Colour Temperature
- 14W=75W equivalent
- 1100 Lumens
- 2700 Kelvin Colour Temperature

## Application areas



Home



Hospitality

## Compliance

### Standards

- EN 55015: Limits and methods of measurement of radio disturbance characteristics of electrical lighting
- EN 61547: Equipment for general lighting purposed EMC immunity requirements
- EN 61000-3-2: Limits for harmonic current emissions (equipment rated current  $\leq 16A$ )
- EN 61000-3-3: Limitation of voltage fluctuations and flicker in low voltage supply systems (equipment rated current  $\leq 16A$ )
- IEC 62471: Photo biological safety of lamps and lamp systems
- IEC 60061: Lamp Caps and holders together with gauges for the control of interchangeability and safety
- IEC 60630: Maximum lamp outlines for incandescent lamps
- IEC 62560: Self-ballasted LED-lamps for general lighting services by voltage  $> 50 V$  - Safety specifications

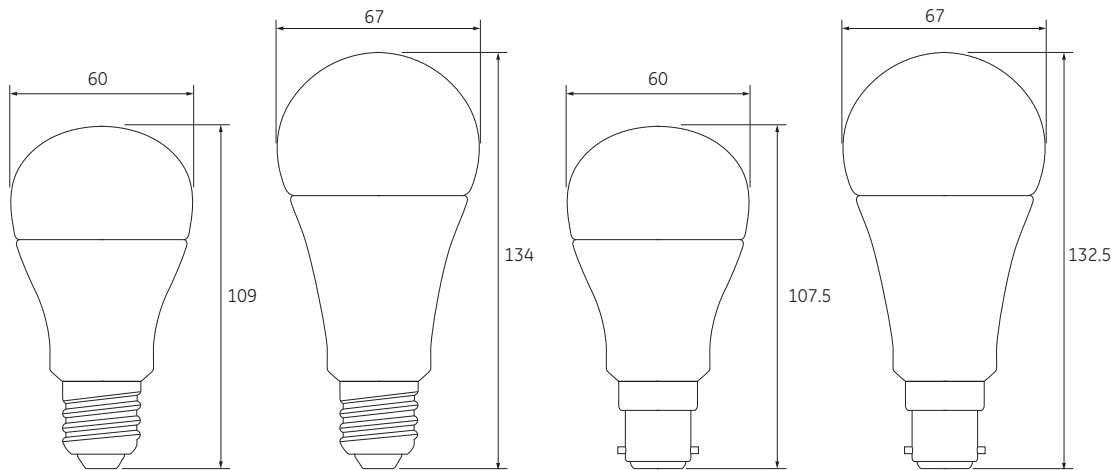


GE imagination at work

## Specification summary

Rated power [W]	Volt [V]	Cap	Product Description	CCT [K]	Rated lumen [lm]	CRI [Ra]	Rated life [h]	Power Factor	Switch cycles	CCT Steps	Weight [g]	Pack Qty	Product Code	Dimmable
8	220-240	E27	LED8D/GLS OMNI/827/220-240V/E27 HBX	2700	470	80	25000	0,7	25000	6	85	6	98783	yes
8	220-240	B22	LED8D/GLS OMNI/827/220-240V/B22 HBX	2700	470	80	25000	0,7	25000	6	85	6	98784	yes
12	220-240	E27	LED12D/GLS OMNI/827/220-240V/E27 HBX	2700	810	80	25000	0,7	25000	6	110	6	98785	yes
12	220-240	B22	LED12D/GLS OMNI/827/220-240V/B22 HBX	2700	810	80	25000	0,7	25000	6	110	6	98786	yes
14	220-240	E27	LED14D/GLS OMNI/827/220-240V/E27 HBX	2700	1100	80	25000	0,7	25000	6	150	6	96547	yes
14	220-240	B22	LED14D/GLS OMNI/827/220-240V/B22 HBX	2700	1100	80	25000	0,7	25000	6	150	6	96548	yes

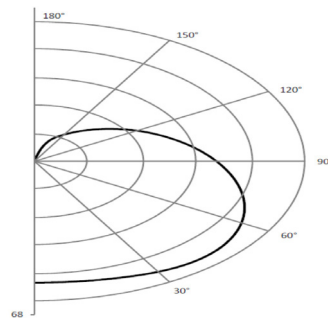
## Dimensions



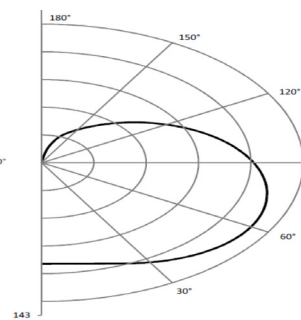
## Omni-directional light distribution

GE's omni-directional lamp enables a wide (230°, 255°) light distribution unlike traditional LED lamps thus forming this lamp to an ideal choice for general lighting application such as for table lamps.

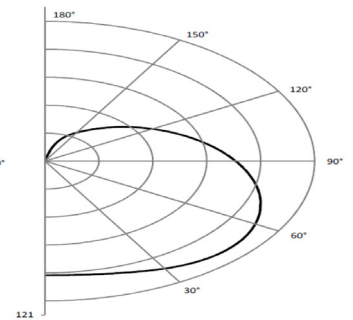
8W LED GLS 2700K



14W LED GLS 2700K



12W LED GLS 2700K



## Operation and maintenance

- Store and use the lamps the same way as traditional lamps.
- Check your fixtures are properly wired and don't deliver voltage spike to lamps causing overheating/failure.
- Lamps should be kept free from contamination.
- Good condition of the lamp-holder contacts is important to ensure proper operation of lamp.
- Ensure lamp is cool before removing.
- Switch off mains supply before installing/removing lamp.
- LED Omni-directional GLS 8W, 12W & 14W lamps are dimmable on most leading and trailing edge dimmers, please check our website [www.gelighting.com/dimming-led](http://www.gelighting.com/dimming-led) for compatibility list.
- Not for use in totally enclosed recessed fixtures.

[www.gelighting.com/eu](http://www.gelighting.com/eu)

 and General Electric are both registered trademarks of the General Electric Company

GE Lighting is constantly developing and improving its products. For this reason, all product descriptions in this brochure are intended as a general guide, and we may change specifications from time to time in the interest of product development, without prior notification or public announcement. All descriptions in this publication present only general particulars of the goods to which they refer and shall not form part of any contract. Data in this guide has been obtained in controlled experimental conditions. However, GE Lighting cannot accept any liability arising from the reliance on such data to the extent permitted by law.

LED Omni-directional GLS Data Sheet – January 2014