

# LED MR16

7W replacements for 35W and 50W Halogen



## Product information

The 7W MR16 range had been developed to replace 35W & 50W equivalent MR16 halogen lamps and offers a high level of technical performance in the form of a halogen shaped LED lamp. Simple to change as it can be used with the existing ballasts and it offers an outstanding lumen package that ensures a relatively short payback period.

GE LED MR16 lamps are all passive cooled, providing quiet operation without additional motorised fan.

## Features

- Improved compatibility (can be used with existing Halogen ballasts)
- Outstanding 50,000 switch cycles

7W ~ 35W equivalent:

- Lumens in 90° cone: from 360 to 450
- 827, 830, 840 Colour Temperature

7W ~ 50W replacement:

- Lumens in 90° cone: 440 to 475
- 827, 830, 840 Colour Temperature

- 15, 25, 35 degree Beam Angles
- Dimmable
- 25,000 hours life (L70)
- Mercury free

## Application areas



Home



Office



Hospitality



Retail

## IEC Standards

IEC 60061-1: Lamp Caps and holders together with gauges for the control of interchangeability and safety

IEC or EN 60969: Self ballasted lamps with g.l.s. - Performance Requirements

IEC or EN 60968: Self-ballasted lamps with g.l.s – Safety requirements

CIE S 009/E: 2002 Photobiological Safety of Lamps and Lamp Systems

EN 61547: Requirement for General Lighting purposes – EMC Immunity requirement

EN 55015 or CISPR 15: Limits and methods of measurement of radio disturbance characteristics of electrical lighting and similar equipment

EN 61000-3-2: Electromagnetic compatibility (EMC) – Part 3-2: Limits - Limits for harmonic current emissions (equipment input current up to and including 16 A per phase)

EN 61000-3-3: Electromagnetic compatibility (EMC) – Part 3-3: Limits - Limitation of voltage fluctuations and flicker in low-voltage supply systems for equipment with rated current up to 16 A



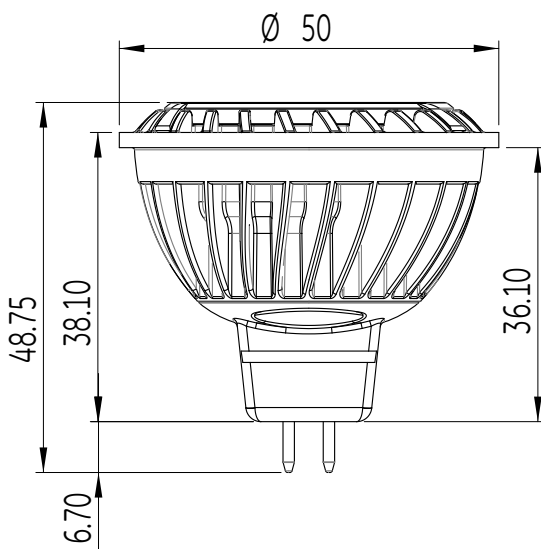
## Specification data

Rated power [W]	Energy consumption [kWh/1000h]	Volts [V]	Cap	Product Description	Candelas	Rated lumens in 90° cone	Rated beam Angle [°]	CCT [K]	CRI	Rated life [L70,h]	Diameter [mm]	Length [mm]	Dimmable	EEC	Product Code
<b>35W Replacement</b>															
7	7.42	12	GU5.3	LED7D/MR16D/827/12V/25 BX1/8	2000	360	25	2700	83	25000	50	48.8	Yes	A	99940
7	7.42	12	GU5.3	LED7D/MR16D/827/12V/35 BX1/8	1000	360	35	2700	83	25000	50	48.8	Yes	A	99941
7	7.42	12	GU5.3	LED7D/MR16D/830/12V/15 BX1/8	3200	410	15	3000	83	25000	50	48.8	Yes	A	99943
7	7.42	12	GU5.3	LED7D/MR16D/830/12V/25 BX1/8	2100	410	25	3000	83	25000	50	48.8	Yes	A	99965
7	7.42	12	GU5.3	LED7D/MR16D/830/12V/35 BX1/8	1100	410	35	3000	83	25000	50	48.8	Yes	A	99966
7	7.42	12	GU5.3	LED7D/MR16D/840/12V/15 BX1/8	3500	450	15	4000	83	25000	50	48.8	Yes	A	89974
7	7.42	12	GU5.3	LED7D/MR16D/840/12V/25 BX1/8	2300	450	25	4000	83	25000	50	48.8	Yes	A	99967
7	7.42	12	GU5.3	LED7D/MR16D/840/12V/35 BX1/8	1200	450	35	4000	83	25000	50	48.8	Yes	A	99969
<b>50W Replacement</b>															
7	7.42	12	GU5.3	LED7XD/MR16D/827/12V/25 BX1/8	2400	450	25	2700	80	25000	50	48.8	Yes	A	60962
7	7.42	12	GU5.3	LED7XD/MR16D/827/12V/35 BX1/8	1400	440	35	2700	80	25000	50	48.8	Yes	A	60963
7	7.42	12	GU5.3	LED7XD/MR16D/830/12V/25 BX1/8	2500	470	25	3000	82	25000	50	48.8	Yes	A+	60964
7	7.42	12	GU5.3	LED7XD/MR16D/830/12V/35 BX1/8	1500	455	35	3000	82	25000	50	48.8	Yes	A	60965
7	7.42	12	GU5.3	LED7XD/MR16D/840/12V/35 BX1/8	1600	475	35	4000	83	25000	50	48.8	Yes	A+	60966

## Lumen maintenance at rated life

- > 70% lumen maintenance at 25,000 hours
- > 90% reliability at 22,000 hours

## Dimensions



## Operation and maintenance

- Store and use the lamps the same way as traditional halogen lamps.
- Check your fixtures are properly wired and don't deliver voltage spike to lamps causing overheating/failure.
- Lamps should be kept free from contamination.
- Good condition of the lamp-holder contacts is important to ensure proper operation of lamp.
- Ensure lamp is cool before removing.
- Switch off mains supply before installing/removing lamp.
- Please visit our website for list of compatible transformer and dimming equipment.
- Not for use in totally enclosed recessed fixtures.
- Not for use in emergency lighting circuits