

LED MR16 Non-dimmable

6.5W replacement for 35W Halogen

Product information

This range provides fantastic energy saving versus halogen offering multiple beam angles and two colour temperatures to suit most professional lighting needs.

Features

- 6.5W ~ 35W replacement
- Total Lumens 380-400
- 25,000 hours life
- 2700K, 3000K, 4000K
- 25 & 35 degree beam angles

Application areas

LED MR16 lamps have massive energy savings versus traditional lamps. Coupled with long life, they are superb replacements where standard incandescent or halogen lamps are in use such as: accent, display and general lighting applications in a commercial, industrial or residential environments.



IEC Standards

- EN 55015: Limits and methods of measurement of radio disturbance characteristics of electrical lighting
- EN 61547: Equipment for general lighting purposed EMC immunity requirements
- EN 61000-3-3: Limitation of voltage fluctuations and flicker in low voltage supply systems (equipment rated current $\leq 16A$)
- EN 61000-3-2: Limits — Limits for harmonic current emissions (equipment input current $\leq 16 A$ per phase)
- IEC 62471: Photo biological safety of lamps and lamp systems
- IEC 60061: Lamp Caps and holders together with gauges for the control of interchangeability and safety



Basic data

GE LED MR16 6.5W products have the following common features

- Power factor 0.85
- Complete range with CRI >80
- Efficiency up to 58lm/W
- Operating temperature $\geq -20^{\circ}\text{C}$ to $\leq 40^{\circ}\text{C}$

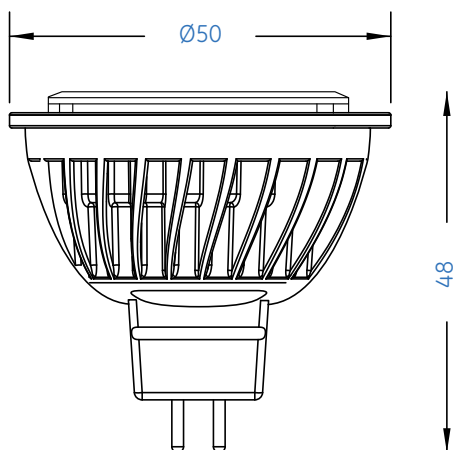
Specification summary

Rated power [W]	Volt [V]	Cap	Product description	Candela	Total lumens [lm]	Rated lumen in 90° cone [lm]	Rated beam angle	CCT [K]	CRI [Ra]	Rated life [h]	Minimum Switch Cycles	Pack Qty	EEC	Product Code
6.5	12	GU5.3	LED6.5/MR16/827/25D	1600	380	360	25	2700	80	25000	50 000	1/8	A	95837
6.5	12	GU5.3	LED6.5/MR16/827/35D	800	380	360	35	2700	80	25000	50 000	1/8	A	95838
6.5	12	GU5.3	LED6.5/MR16/830/25D	1600	390	370	25	3000	80	25000	50 000	1/8	A	98188
6.5	12	GU5.3	LED6.5/MR16/830/35D	800	390	370	35	3000	80	25000	50 000	1/8	A	98787
6.5	12	GU5.3	LED6.5/MR16/840/25D	1600	400	380	25	4000	80	25000	50 000	1/8	A	98788
6.5	12	GU5.3	LED6.5/MR16/840/35D	800	400	380	35	4000	80	25000	50 000	1/8	A	95839

Lumen maintenance at rated life

> 70% Lumen output at 25,000 hours life

Dimensions



Operation and maintenance

- Store and use the lamps the same way as traditional halogen lamps.
- Check your fixtures are properly wired and don't deliver voltage spike to lamps causing overheating/failure.
- Lamps should be kept free from contamination.
- Good condition of the lamp-holder contacts is important to ensure proper operation of lamp.
- Ensure lamp is cool before removing.
- Switch off mains supply before installing/removing lamp.
- Please visit our website for list of compatible transformers.
- Not for use in totally enclosed recessed fixtures.
- Non-dimmable, but safe on dimming circuits.