

IMMERSION™

LED Display Lighting

Refrigerated Horizontal Cases RH30 Series



Canopy Lighting

24-INCH:

GEMT302450CAN-SY/SB (69640/69641)
GEMT302440CAN-SY/SB (69652/69653)
GEMT302430CAN-SY/SB (69682/69684)
GEMT302435CAN-SY/SB (69709/69710)

36-INCH:

GEMT303650CAN-SY/SB (69642/69643)
GEMT303640CAN-SY/SB (69660/69661)
GEMT303630CAN-SY/SB (69685/69686)
GEMT303635CAN-SY/SB (69711/69712)

48-INCH:

GEMT304850CAN-SY/SB (69644/69645)
GEMT304840CAN-SY/SB (69662/69663)
GEMT304830CAN-SY/SB (69687/69688)
GEMT304835CAN-SY/SB (69713/69714)

Undershelf Lighting

24-INCH:

GEMT302450USL-SY/SB (69646/69647)
GEMT302440USL-SY/SB (69664/69665)
GEMT302430USL-SY/SB (69689/69690)
GEMT302435USL-SY/SB (69715/69716)

36-INCH:

GEMT303650USL-SY/SB (69648/69649)
GEMT303640USL-SY/SB (69666/69667)
GEMT303630USL-SY/SB (69691/69694)
GEMT303635USL-SY/SB (69717/69718)

48-INCH:

GEMT304850USL-SY/SB (69650/69651)
GEMT304840USL-SY/SB (69668/69669)
GEMT304830USL-SY/SB (69695/69696)
GEMT304835USL-SY/SB (69719/69720)

Premium Canopy Lighting

24-INCH:

GEMT312430CAN-SY/SB (69697/69698)
GEMT312440CAN-SY/SB (69670/69671)

36-INCH:

GEMT313630CAN-SY/SB (69699/69700)
GEMT313640CAN-SY/SB (69672/69673)

48-INCH:

GEMT314830CAN-SY/SB (69701/69702)
GEMT314840CAN-SY/SB (69674/69675)

Premium Undershelf Lighting

24-INCH:

GEMT312430USL-SY/SB (69703/69704)
GEMT312440USL-SY/SB (69676/69677)

36-INCH:

GEMT313630USL-SY/SB (69705/69706)
GEMT313640USL-SY/SB (69678/69679)

48-INCH:

GEMT314830USL-SY/SB (69707/69708)
GEMT314840USL-SY/SB (69680/69681)

Conforms to the following:



BEFORE YOU BEGIN

Read these instructions completely and carefully.

FOR YOUR SAFETY

Read and observe all **CAUTIONS** and **WARNINGS** shown throughout these instructions.

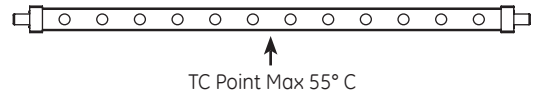
- Installation to be performed by factory trained service personnel only.
- For use inside a commercial refrigeration case with packaged foods only.

OPERATING TEMPERATURE

- Minimum is -20° C
- Maximum is 25° C
- Maximum TC Point is 55° C

LED DRIVER COMPATIBILITY

This system is compatible with GE LED Driver #68593 and #68595.



A. Use this unit only in the manner intended by the manufacturer. If you have any questions, contact the manufacturer.

B. Before installing, servicing or cleaning unit, switch power off at the service panel and follow appropriate lock out/tag out safety procedures.

⚠ WARNING/ADVERTISEMENT

Risk of electrical shock. Disconnect power before servicing or installing product. / **Risque de choc électrique.** Couper l'alimentation avant le dépannage ou avant l'installation du produit.

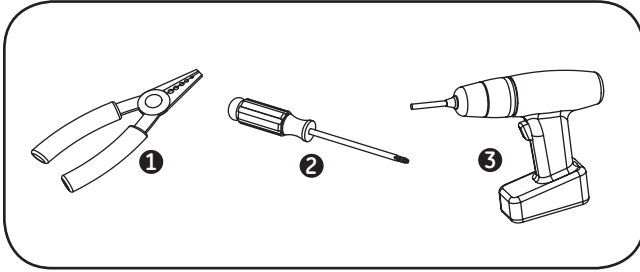
⚠ CAUTION/ATTENTION

Risk of injury. While performing installations described, gloves, safety glasses or goggles should be worn. / **Risque de blessure.** Lors de l'exécution des installations décrites, des gants, des lunettes de sécurité ou des lunettes de protection doivent être portées.



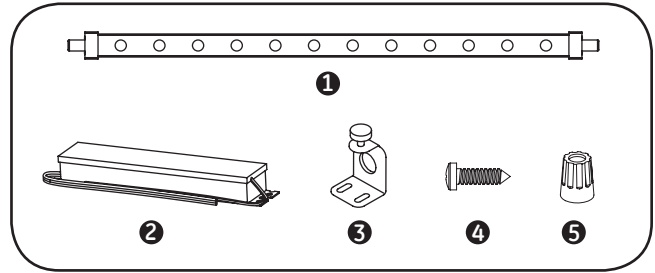
imagination at work

Tools Required



- ❶ Wire Stripper/Cutter
- ❷ Screwdriver
- ❸ Cordless drill with driver bit

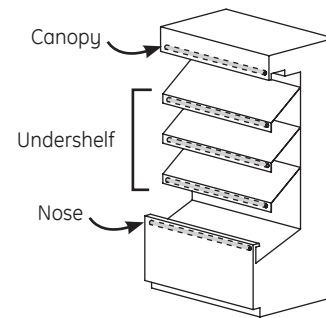
Components Required



- ❶ LED Light
- ❷ LED Driver
- ❸ L-clip with thumbscrew
- ❹ 6-32 x 1/2" screws
- ❺ Suitable wire connectors: certified tap type, twist-on, or other wire connector suitable for conductor size, type, number, and the environmental conditions encountered.

1 Select Installation Position

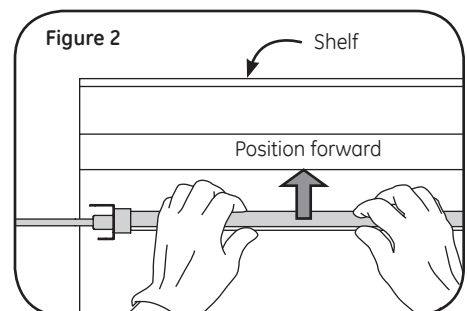
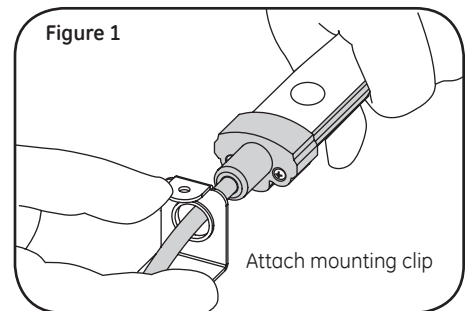
- Select installation position:
 - 2A Undershelf
 - 2B Canopy and Nose



2A Install LED Lights into Undershelf Position

- Remove each shelf and turn upside down on work surface.
- Thread LED Light wire through the large hole in selected mounting clip and slide over the end of LED Light. Slightly tighten thumb screw. Refer to Figure 1.
- Slide second mounting clip over opposite end of LED Light.
- With mounting clips still attached, place LED Light flush with shelf edges, positioning it as far forward as possible while still concealing LED Light from view. Refer to Figure 2.
- Install mounting clip to shelf with two #6 self-drilling pan headed screws per mounting clip. Refer to Figure 3.
- Insert tension screw into both mounting clips and partially tighten each screw into nut to enable the LED Light position to adjust. Refer to Figure 4.

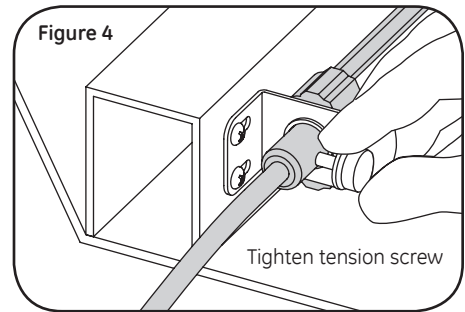
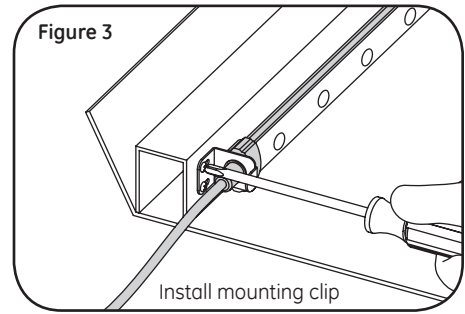
Shelf installation shown in figures below



2_B

Install LED Lights into Canopy and Nose Position

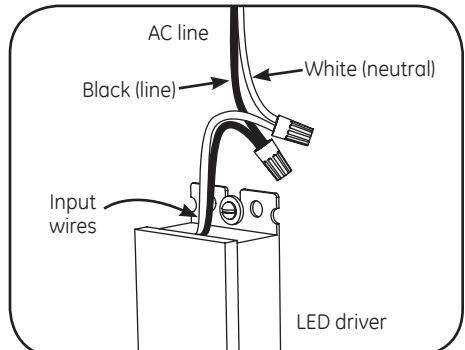
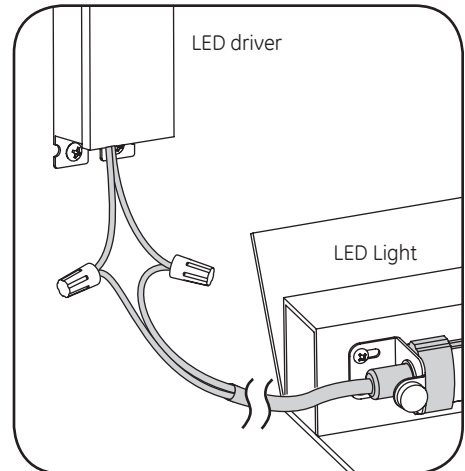
- Thread LED Light wire through the large hole in selected mounting clip and slide over the end of LED Light.
- Slide second mounting clip over opposite end of LED Light.
- With mounting clips still attached, place LED Light flush against mounting surface, positioning it as far forward as possible while still concealing LED Light from view.
- Install mounting clips to panel with two #6 self-drilling pan headed screws per mounting clip.
- Insert tension screw into both mounting clips and partially tighten each screw to enable the LED Light position to adjust. Refer to Figure 4.



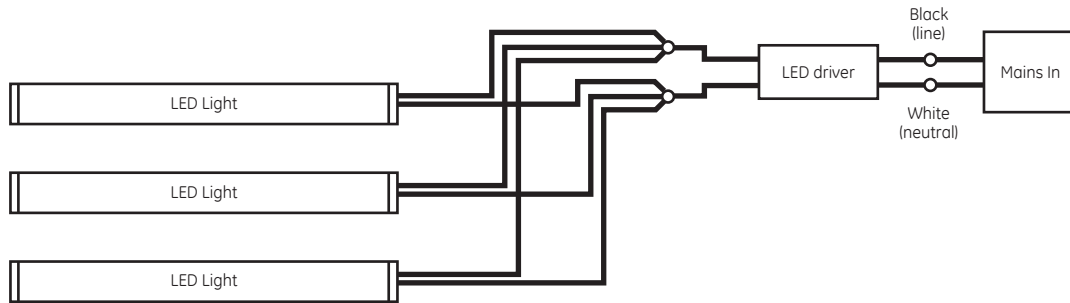
3

Electrical Connections

- Ensure power is removed from case.
- Connect LED Lights to the appropriate LED drivers (GE product code #68593 or #68595 for use in North America only). Refer to **Maximum LED Driver Loading Specifications** table on next page.
- **NOTE:** For proper installation of LED Drivers, refer to separate LED Driver Installation Instructions.
- **NOTE:** Black and red LED Light wires are not polarity sensitive.
- Use suitable wire connectors to connect one wire from LED Light to one wire from the LED driver. Connect the other wire from LED Light to the other wire from the LED driver.
- When connecting multiple LED Lights to LED driver, install LED Lights in a parallel configuration. See **Wiring Multiple LED Lights** diagram on next page.
- Connect AC line to the input driver leads using suitable wire connectors.



Wiring Multiple LED Lights



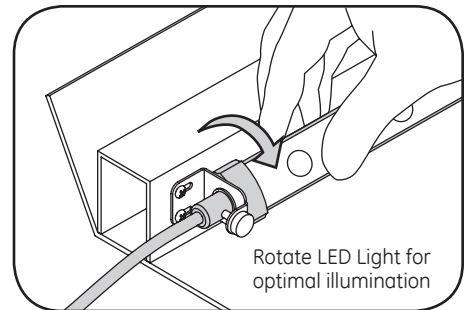
Maximum LED Driver Loading Specifications

	LED Driver #68595 50 Watt (For North America Only)	LED Driver #68593 100 Watt
RH30 Canopy 4 ft	2 LED Lights	4 LED Lights
RH30 Canopy 3 ft	3 LED Lights	5 LED Lights
RH30 Canopy 2 ft	4 LED Lights	8 LED Lights
RH30 Undershef 4 ft	6 LED Lights	13 LED Lights
RH30 Undershef 3 ft	8 LED Lights	16 LED Lights
RH30 Undershef 2 ft	12 LED Lights	24 LED Lights

4

Prepare for LED Light Positioning

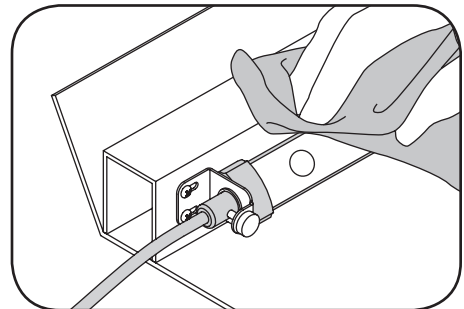
- If installing in the undershef position, reinstall shelves back into case.
- Clean away any debris from case.
- Reconnect power to case.
- Gently rotate LED Light until optimal light coverage is achieved.
- Firmly tighten tension screws to secure the LED light into final position.



5

Cleaning Instructions

- The LED Light may be dusted as needed with a dry, clean, soft cloth.
- Do not use chemical cleaners on the system.
- Do not wipe with a soiled dishcloth or wet towel—these may leave a residue that can damage the finish.
- Do not use scouring pads, powdered cleaning products, bleach or cleaners containing bleach because these products can scratch and damage the finish.



GE Lighting

www.gelighting.com/eu

GE Lighting is a subsidiary of the General Electric Company. Immersion is a trademark of GE Lighting. The GE brand and logo are trademarks of the General Electric Company.
© 2013 GE Lighting. Information provided is subject to change without notice. All values are design or typical values when measured under laboratory conditions.