

LED GU10

6 Watt Dimmable



Product information

This product range enables substantial energy savings and is a direct replacement for 50W halogen in an IEC Standard dimension, consuming only 6W of power as well as providing high quality dimming performance.

Features

- IEC-size
- Dimming (20-100%)
- Available in 2700K, 3000K and 4000K
- Total Lumens 390-450lm
- 25 degree and 35 degree beam angles
- Long life for reduced maintenance costs
- IR/UV-radiation free, Mercury free, Low heat emission

Application areas

LED GU10 dimmable lamps offer significant energy savings versus traditional lamps. Coupled with long life, they are superb replacements where standard incandescent or halogen lamps are in use such as: accent, display and general lighting applications in a commercial, industrial or residential environments.

Standards

- IEC60357: Tungsten halogen lamps (non-vehicle) – Performance specifications.
- IEC62560: Self-ballasted LED lamp for general lighting services voltage 50~250V-safety specification.
- IEC62471: Photobiological safety of lamps and lamp systems.

- EN55015: Limits and methods of measurement of radio disturbance characteristics of electrical lighting and similar equipment.
- EN61547: Equipment for general lighting purposed EMC immunity requirements.
- EN61000-3-2: Limits for harmonic current emissions.
- EN61000-3-3: Limitation of voltage fluctuations and flicker in low voltage supply systems for equipment with rated current $\leq 16A$.



6W GU10 LED lamps have the following common features

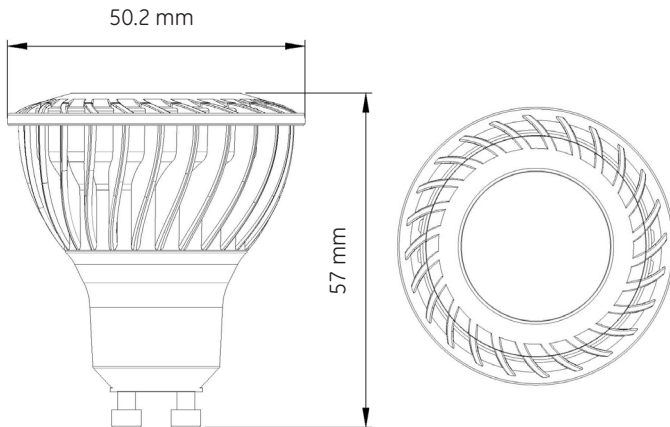
- 220-240V with power factor of 0.8
- Complete range with CRI >80 and 5-step MacAdam colour consistency
- Efficiency up to 75lm/W
- Input current: 30mA
- Operating temperature: -20°C to +40°C

Specification summary

Wattage consumption (W)	Energy consumption (kWh/1000h)	Product Description	Candela (cd)	Total Lumens (lm)	Rated Lumen in 90° cone (lm)	Beam Angle	CCT (K)	Life hours L70	Minimum Switch Cycles	Pack Qty	Product Code	EEC	Place of manufacturing
6	6.00	LED6D/GU10/827/220-240V/FL BX 1/10 H	1500	390	360	25	2700	45,000	100,000	1/10	98720	A+	MIH*
6	6.00	LED6D/GU10/827/220-240V/WFL BX 1/10 H	1000	410	380	35	2700	45,000	100,000	1/10	98721	A+	MIH*
6	6.00	LED6D/GU10/830/220-240V/FL BX 1/10 H	1600	400	370	25	3000	45,000	100,000	1/10	98722	A+	MIH*
6	6.00	LED6D/GU10/830/220-240V/WFL BX 1/10 H	1100	420	390	35	3000	45,000	100,000	1/10	98723	A+	MIH*
6	6.00	LED6D/GU10/840/220-240V/FL BX 1/10 H	1650	430	390	25	4000	45,000	100,000	1/10	98724	A+	MIH*
6	6.00	LED6D/GU10/840/220-240V/WFL BX 1/10 H	1150	450	410	35	4000	45,000	100,000	1/10	98725	A+	MIH*

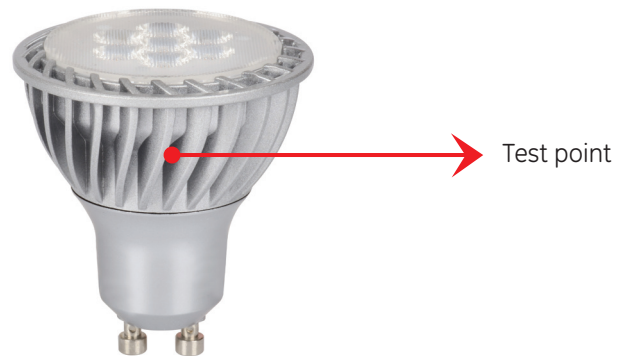
*MIH = Made in Hungary

Dimensions



Maximum T_{hs} recommended

GU10 6W Dimmable (IEC-size) 85.5°C



Lumen maintenance at rated life

>70% lumen maintenance by 50% of lamps at 45,000 hours

Operation and maintenance

- Not for use in totally enclosed fixtures.
- Suitable for voltage fluctuations of +/- 10%
- Switch off mains supply before installing/removing lamp.
- LED GU10 6W lamps are dimmable on most leading and trailing edge dimmers, please check our website www.gelighting.com/dimming-led.
- Safe to use on Photo- & Timer-circuits, please contact local Sales agent for compatibility
- Ambient temperature range -20° C to 40°C

www.gelighting.com

 and General Electric are both registered trademarks of the General Electric Company

GE Lighting is constantly developing and improving its products. For this reason, all product descriptions in this brochure are intended as a general guide, and we may change specifications from time to time in the interest of product development, without prior notification or public announcement. All descriptions in this publication present only general particulars of the goods to which they refer and shall not form part of any contract. Data in this guide has been obtained in controlled experimental conditions. However, GE Lighting cannot accept any liability arising from the reliance on such data to the extent permitted by law.

LED Directional GU10 6W Data Sheet – January 2014