

# GE LED Accent Lighting

LED ARCHITECTURAL SERIES

## Product Codes

93013521, 93013525, 93013526, 93013527

### LED System Features

- Certified to UL 2108
- Low-Voltage Luminaire (12 VDC)
- IP54, dry or damp location rated
- Compatible with 12V GE LED Drivers
- Dimmable with GE 0-10V Dimming LED Driver or GE Dimming Module and compatible dimming controller

### Save These Instructions

- This product is intended solely for the use of non-residential architecture lighting and is not intended for use in any other applications.
- The light source of this LED module is not replaceable, when the light source reaches its end of life the whole LED module shall be replaced.



## BEFORE YOU BEGIN

Read these instructions completely and carefully

### ⚠ WARNING/AVERTISSEMENT

**Risk of electrical shock.** Disconnect power before servicing or installing product.

**Risque de choc électrique.** Couper l'alimentation avant le dépannage ou avant l'installation du produit.

### Prepare Electrical Wiring



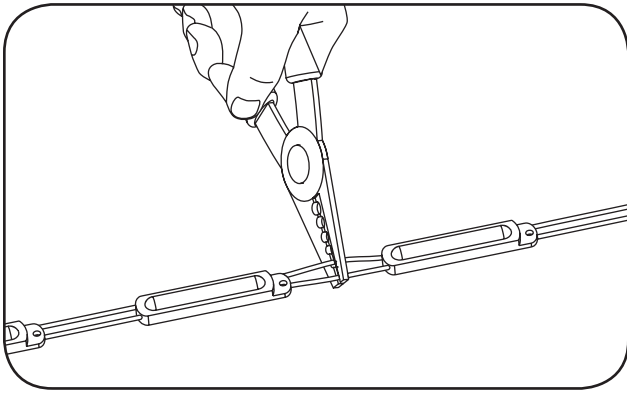
#### *Electrical Requirements*

- Do not use in wet locations.
- The grounding and bonding of the LED Driver shall be done in accordance with National Electric Code (NEC) Article 600.
- Follow all National Electric Codes (NEC) and local codes.

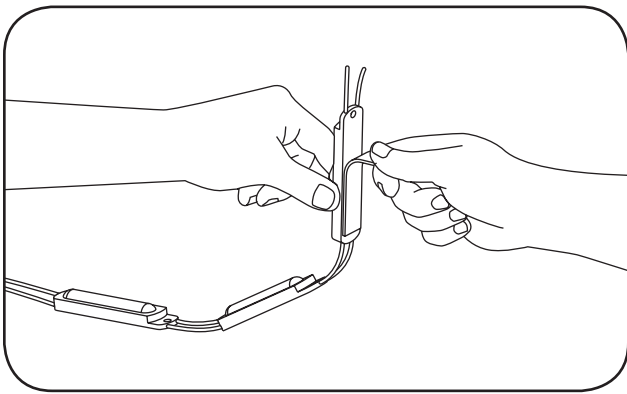


imagination at work

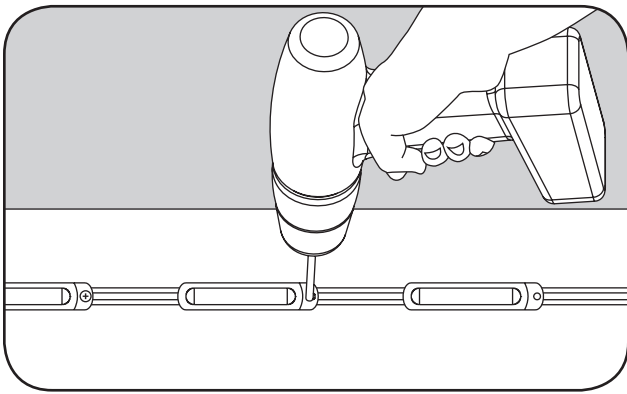
## Architectural Layout



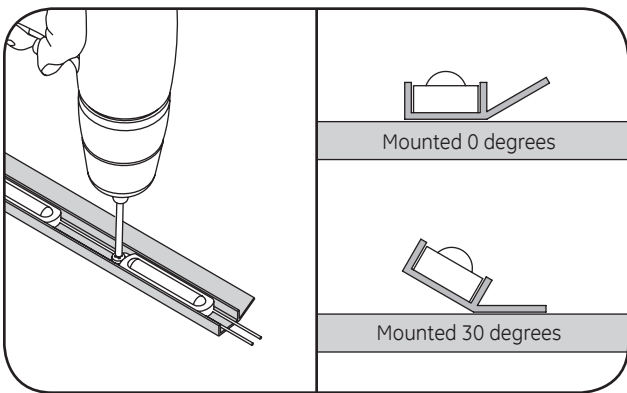
- 1 Measure and cut LED strip to the appropriate length. Cuts can be made between any of the modules.



- 2 Remove tape backing and stick LED modules into place. Continue until you have reached the end of the strip.

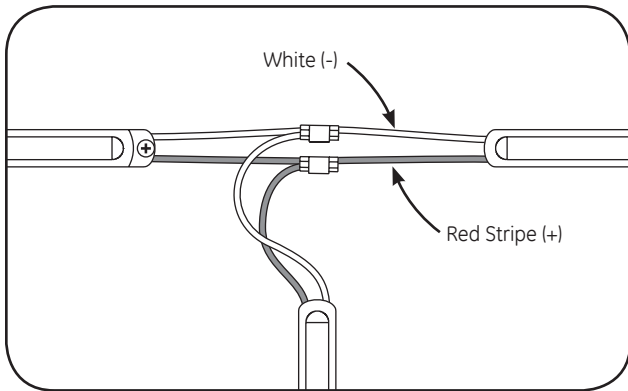


- 3 Use screws to secure the LED strip (minimum 1 self-tapping screw per foot/0.3m). Use #6 (M3) or #8 (M4) pan headed metal screws.



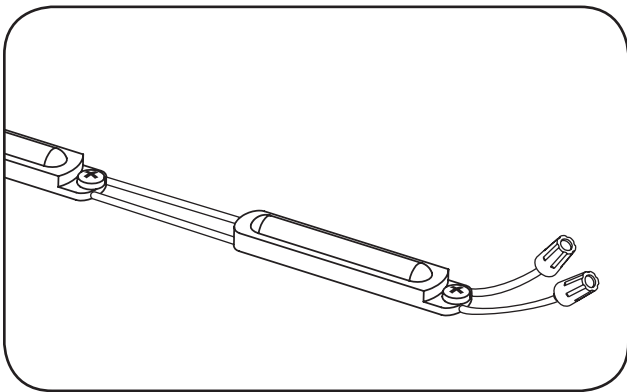
- 4 **Optional:** LED strip can be snapped into track and fastened with self-tapping screws.  
**NOTE:** Track can be mounted at 0 degrees or 30 degrees.

## Electrical Connections

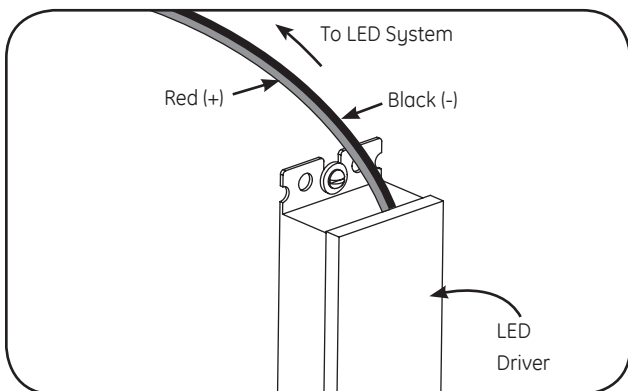


- 1 Connect LED strips using in-line (IDC) connectors or twist-on wire connectors appropriate for 18 AWG/0.82 mm<sup>2</sup> wire.

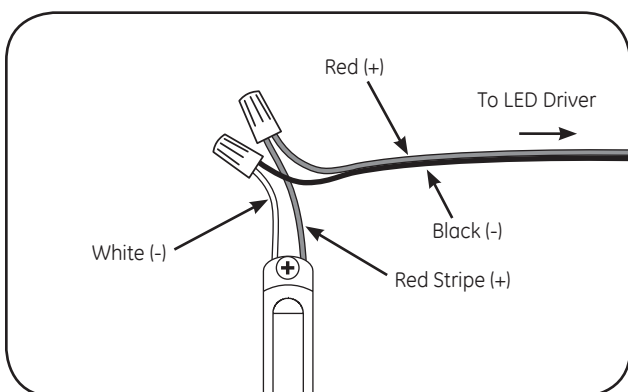
Note: The external flexible cable or cord of this LED module cannot be replaced, if the cord is damaged, the LED module shall be destroyed.



- 2 Must cap all exposed wires with appropriate wire connectors.



- 3 Run a wire from the LED Driver to the first LED module on the strip.  
**NOTE:** Must be used with GE 12 Volt LED Drivers.



- 4 Connect the red stripe wire (+) of the LED strip to the red wire (+) of the LED Driver. Connect the white wire (-) of the LED strip to the black wire (-) of the LED Driver.

## Loading Chart

LED Driver	Minimum Loading	Maximum Loading
74914 (GE020/G/V12T1-B)	1 ft./0.30m/3 modules	9 ft. 5 in./2.9m/24 modules
67824 (GEPS12-60UGL-IP) 79044 (GE060/MV/D12T1-A)	1 ft./0.30m/3 modules	27 ft. 2in./8.3m/68 modules

## Remote Mounting Distance

LED Driver	18 AWG/0.82 mm <sup>2</sup> Supply Wire	16 AWG/1.31 mm <sup>2</sup> Supply Wire	14 AWG/2.08 mm <sup>2</sup> Supply Wire	12 AWG/3.31 mm <sup>2</sup> Supply Wire
74914 (GE020/G/V12T1-B)	30 ft. (9.1m)	-	-	-
67824 (GEPS12-60UGL-IP) 79044 (GE060/MV/D12T1-A)	8 ft. (2.4m)	12 ft. (3.7m)	20 ft. (6.1m)	37 ft. (11.3m)

## Troubleshooting

Symptom	Solution
All LEDs are OFF	<ul style="list-style-type: none"> <li>• Check AC input connection and/or check circuit breaker.</li> <li>• Check wire connection(s) at the LED System and LED Driver for improper termination(s) or short circuits. Properly terminate or replace the wire connection(s).</li> <li>• Check that connections are the red striped wire (+) of the LED strip to the red wire (+) of the LED Driver and the white wire (-) of the LED strip to the black wire (-) of the LED Driver.</li> </ul>
Some LEDs appear dim	<ul style="list-style-type: none"> <li>• Ensure the overall length of the LED System does not exceed the maximum load.</li> <li>• Ensure the length of supply wire is equal to or below the recommended remote mounting distance.</li> </ul>
Some of the LEDs are not illuminated	<ul style="list-style-type: none"> <li>• Check wire connection(s) at the LED System and LED Driver for improper termination(s) or short circuits. Properly terminate or replace the wire connection(s).</li> <li>• Check that connections are the red striped wire (+) of the LED strip to the red wire (+) of the LED Driver and the white wire (-) of the LED strip to the black wire (-) of the LED Driver .</li> </ul>

This device complies with Part 15 of the FCC Rules. Operation is subject to the following two conditions: (1) This device may not cause harmful interference, and (2) this device must accept any interference received, including interference that may cause undesired operation. This Class [A] RFLD complies with the Canadian standard ICES-003. Ce DEFR de la classe [ A ] est conforme á la NMB-003 du Canada.

**Note:** This equipment has been tested and found to comply with the limits for a Class A digital device, pursuant to part 15 of the FCC Rules. These limits are designed to provide reasonable protection against harmful interference when the equipment is operated in a commercial environment. This equipment generates, uses, and can radiate radio frequency energy and, if not installed and used in accordance with the instruction manual, may cause harmful interference to radio communications. Operation of this equipment in a residential area is likely to cause harmful interference in which case the user will be required to correct the interference at his own expense.



GE Lighting • 1-888-MY-GE-LED (1-888-69-43-533) • [www.gelighting.com](http://www.gelighting.com)

GE Lighting Solutions, LLC is a subsidiary of the General Electric Company. Tetra is a trademark of GE Lighting. The GE brand and logo are trademarks of the General Electric Company. © 2013 GE Lighting Solutions, LLC. Information provided is subject to change without notice. All values are design or typical values when measured under laboratory conditions.